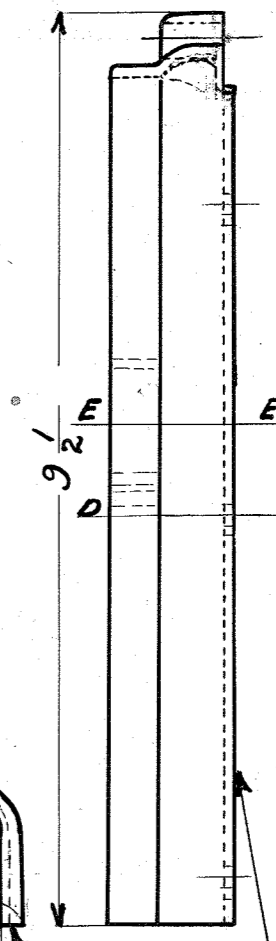
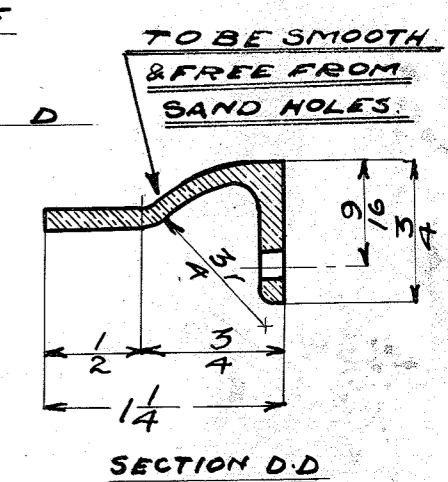
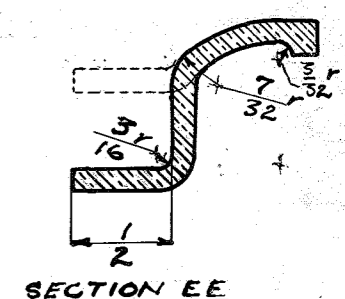
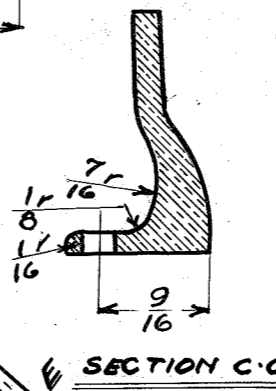
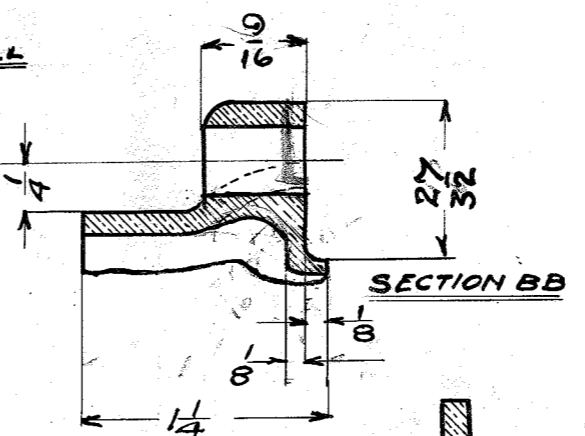
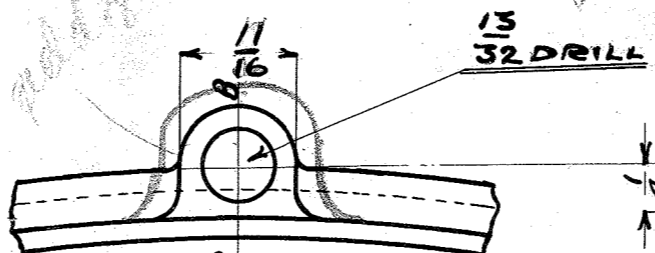
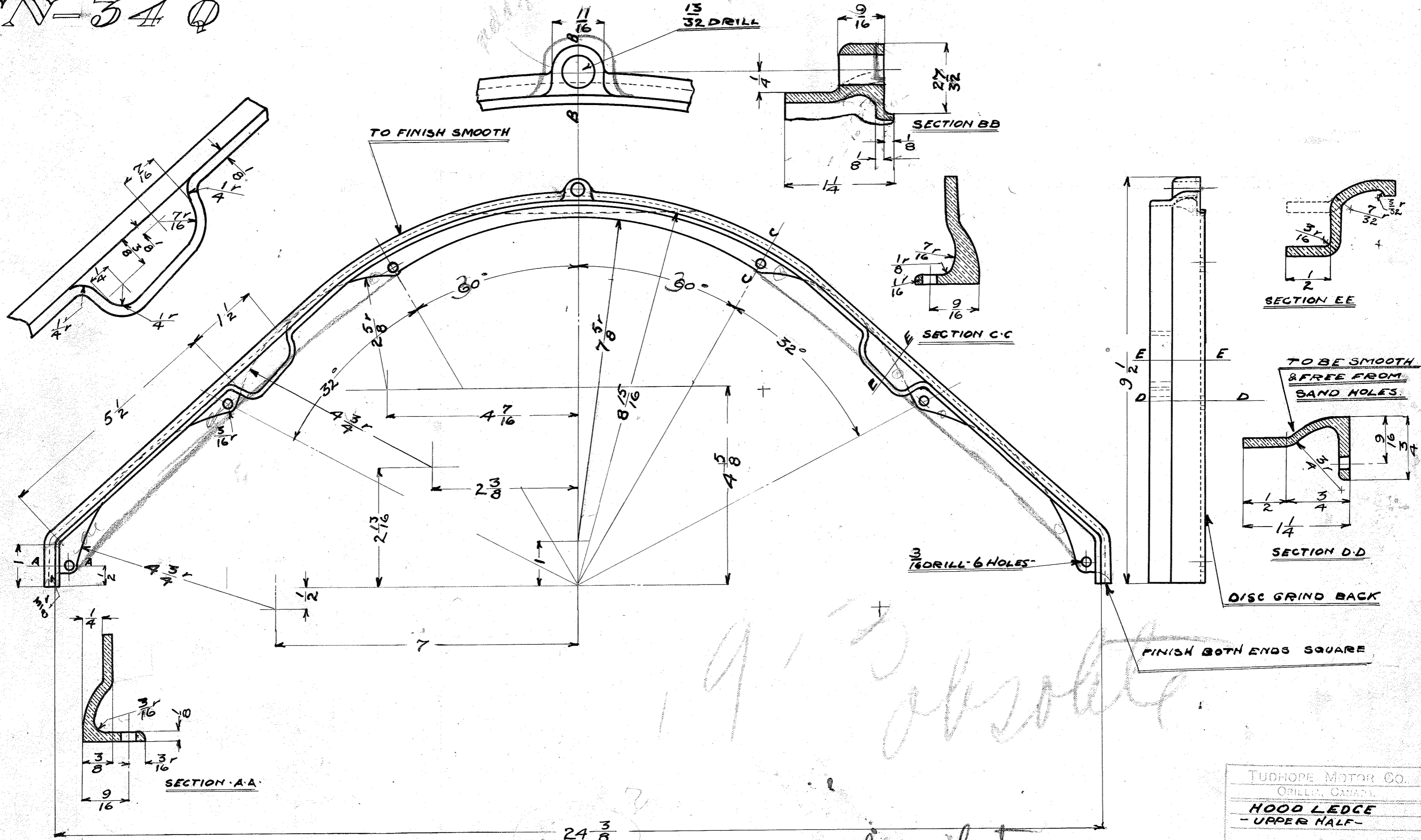


EN-34 Q



TUDHOPE MOTOR CO.	
ORILLIA, CANADA	
HOOD LEDGE	
- UPPER HALF -	
DRAWING NO.	EN-34 Q
MATERIAL	ALUMINUM CAST.
NO. REQUIRED	1
DRAWN BY	JLA
TRACED BY	JLA
DATE	1-6-13