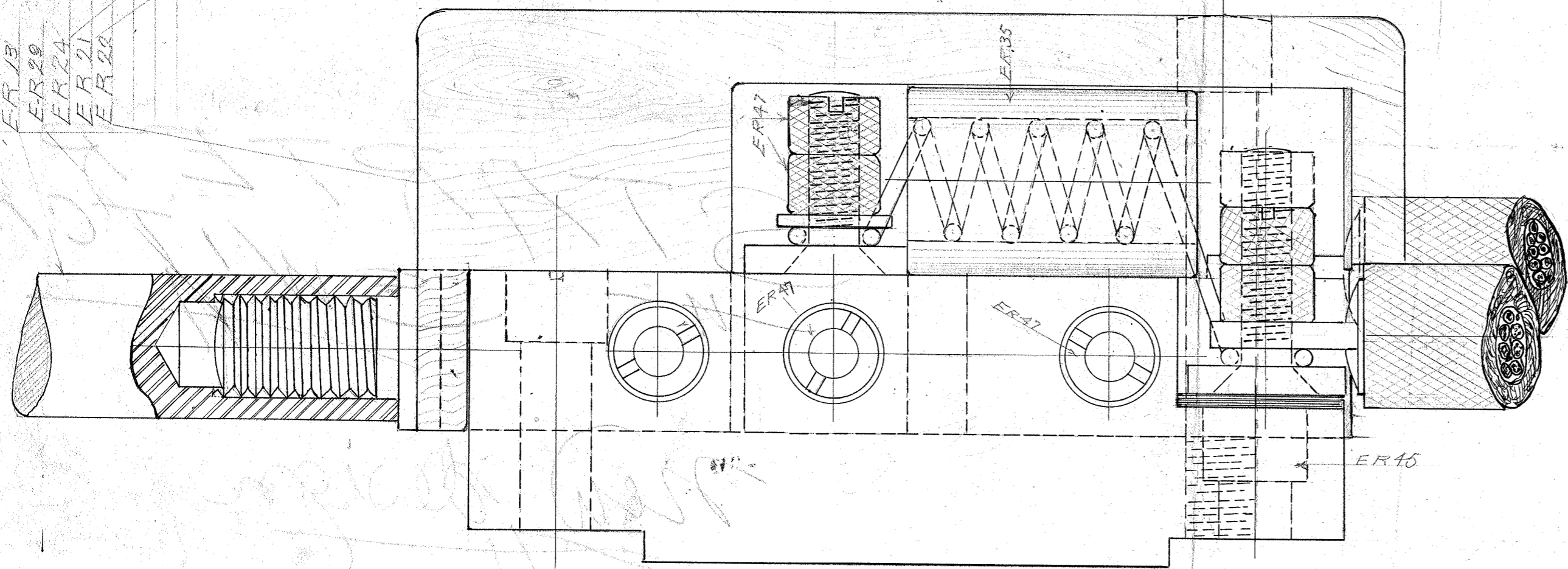
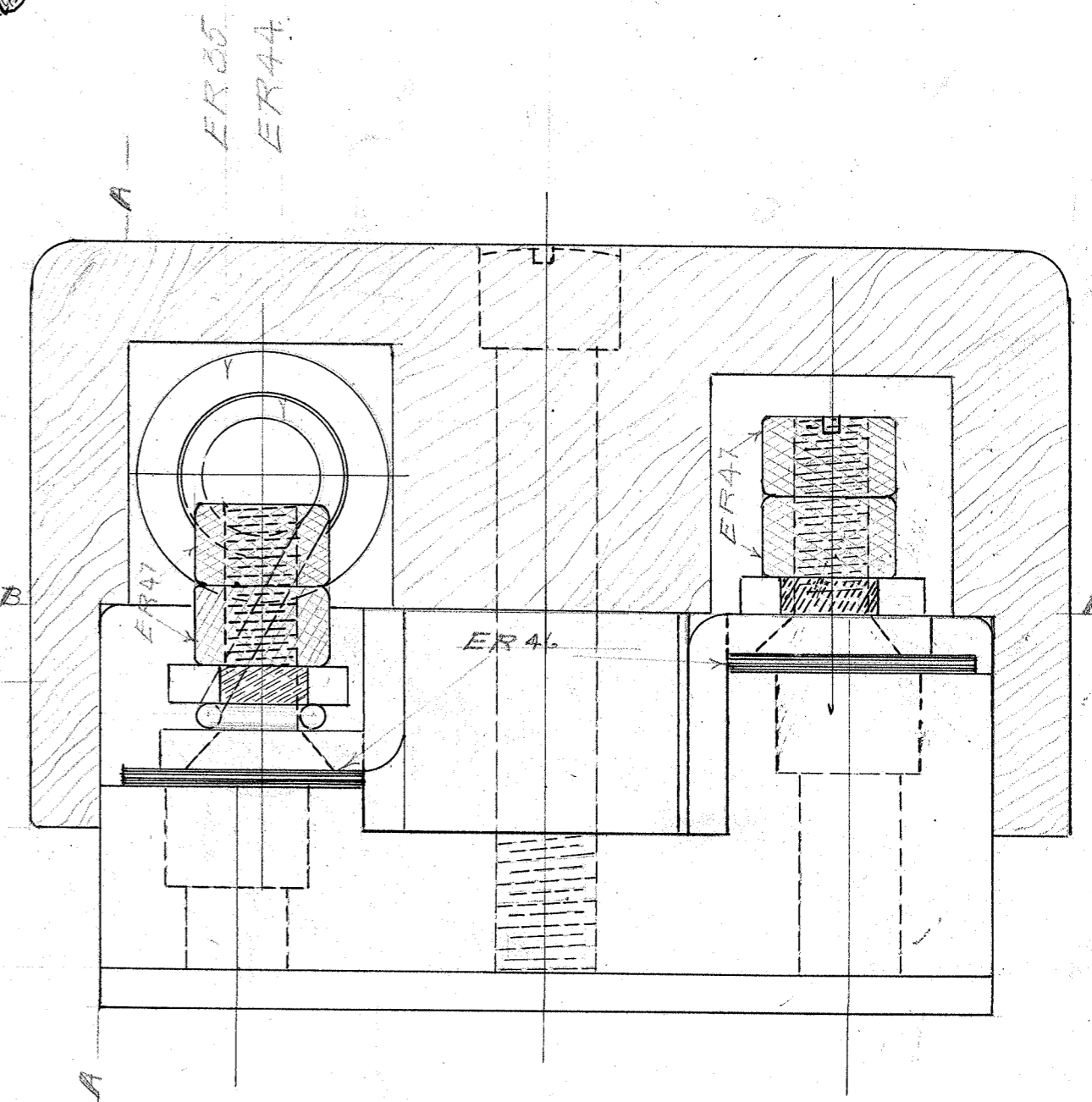


SECTION THRU CAP B-B

ER13
ER29
ER24
ER21
ER22



SECTION THRU CAP AA



2017