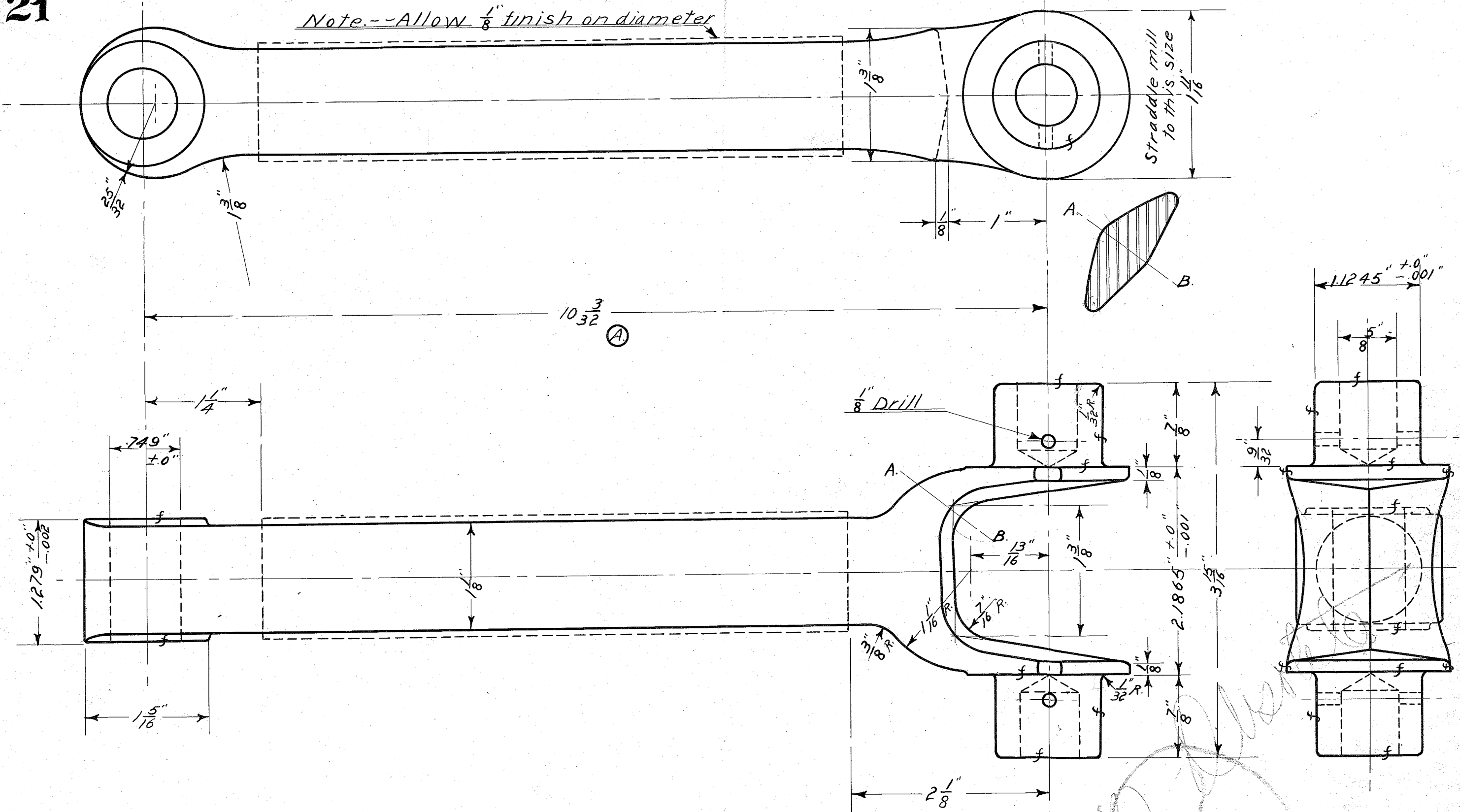


BB-21

Ⓐ From  $9\frac{19}{32}$ " to  $10\frac{3}{32}$ " --- 5-26-11.

Note.--Allow  $\frac{1}{8}$ " finish on diameter



Note.- Simplex forging steel

*Handwritten signature:* R. B. C.

TUDHOPE MOTOR Co.
ORILLIA CANADA
UNIVERSAL JOINT
YOKE
(Front end)
DRAWING NO.-BB-21
MAT'L.-D.F.S. SIMPLEX FORGINGS
NO. REQUIRED-1
DRAWN BY-R.B.C. CHECKED BY-
TRACED BY-FL.G. APP. BY-
DATE-4-13-1911.