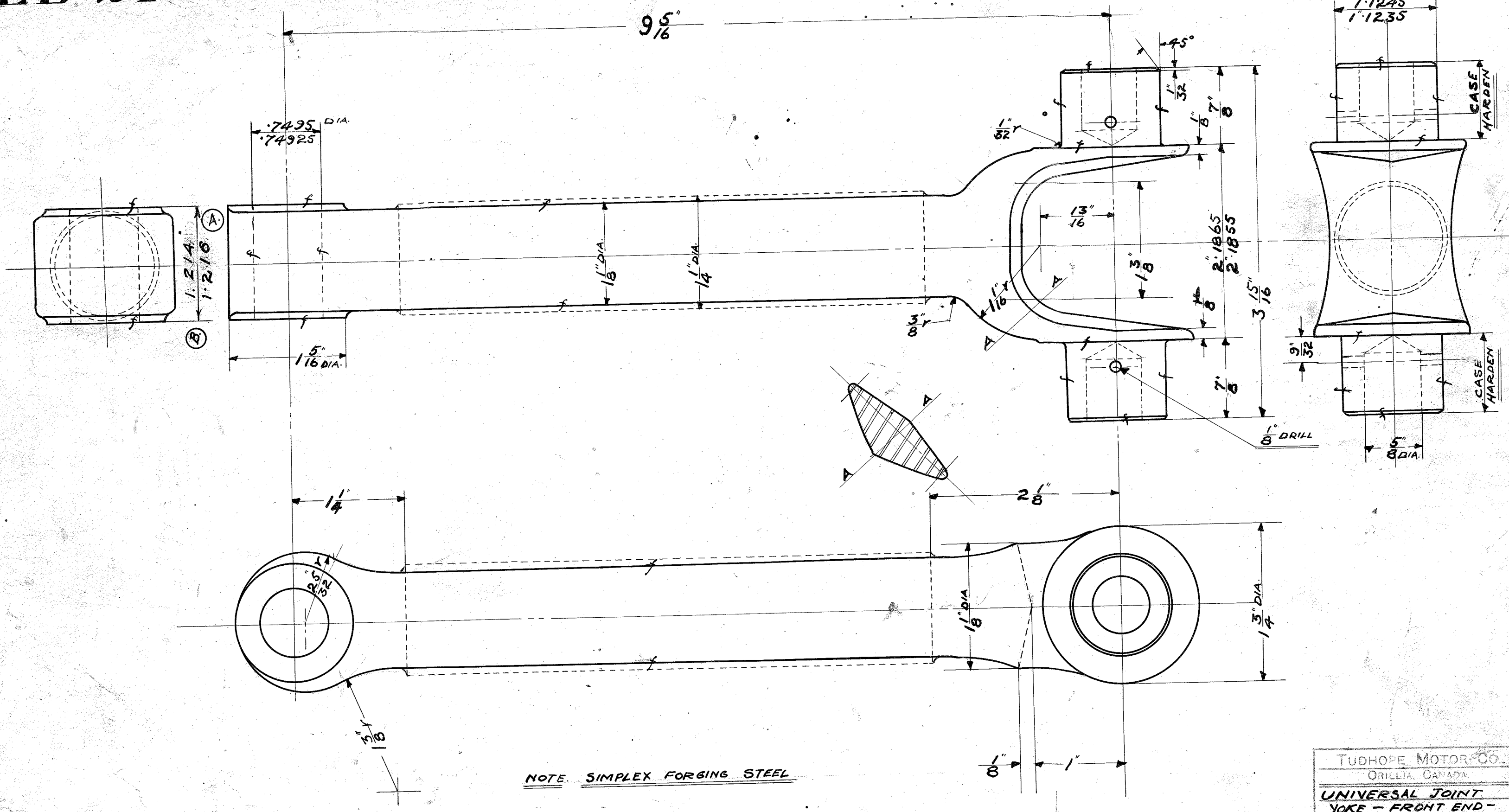


EB-21

(A) WAS $\frac{1.279}{1.277}$ - 3-28-13

(B) WAS $\frac{1.234}{1.236}$ - 3-23-14



NOTE. SIMPLEX FORGING STEEL

TUDHOPE MOTOR CO.
ORILLIA, CANADA
**UNIVERSAL JOINT
YOKE - FRONT END**

DRAWING NO. **E-B-21.**
MATERIAL **O.F.S. SIMP. FORG. STEEL**
NO. REQUIRED **1**
DRAWN BY **G.A.L.** CHECKED BY
TRACED BY **J.L.A.** APP'D BY
DATE **6-13-12 - 10-11-12.**