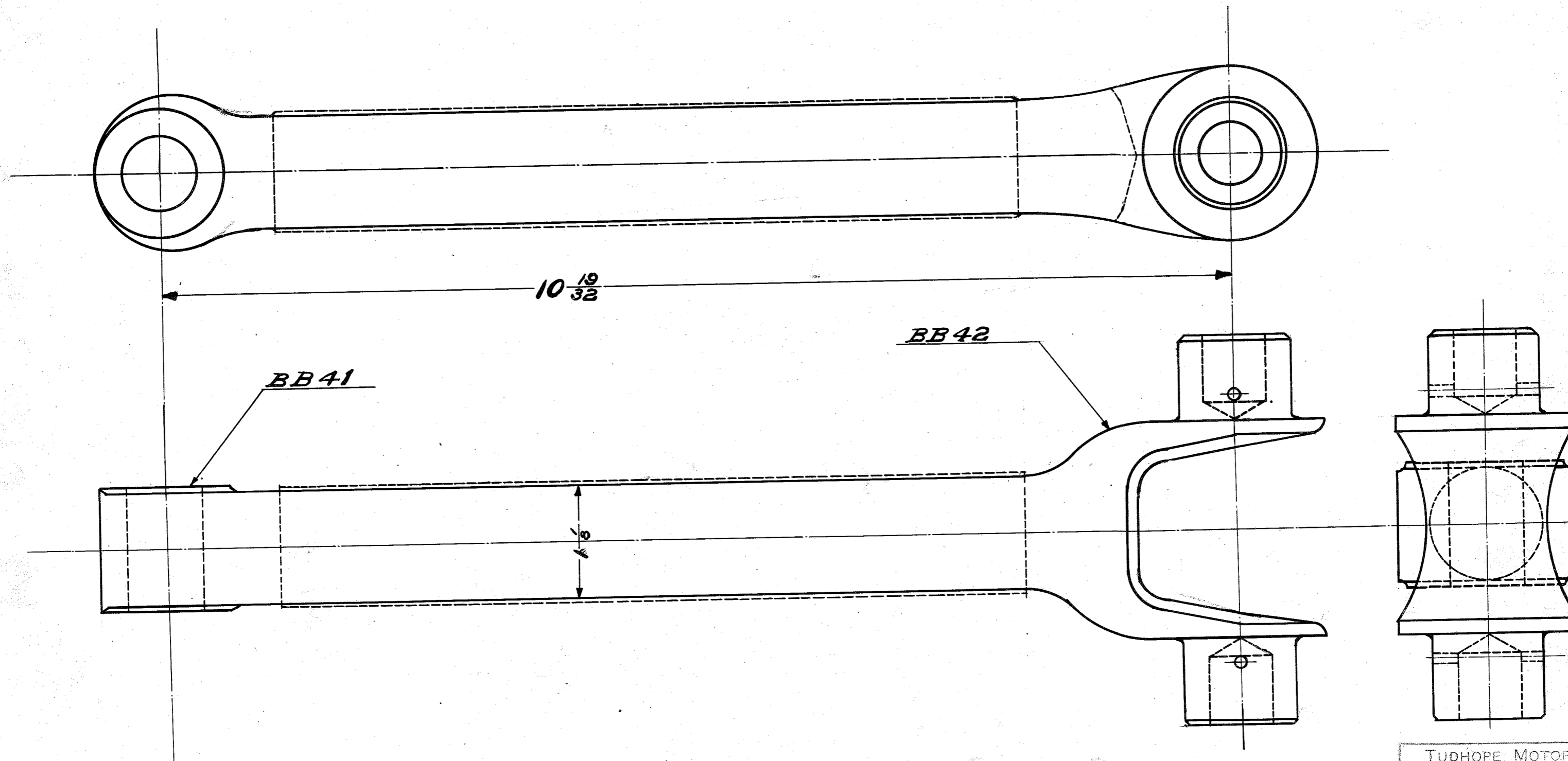


AB21C.



*Obsolete
H.C.L.
May 27/13*

TUDHOPE MOTOR CO. ORILLIA, CANADA.	
UNIVERSAL JOINT SHAFT ASSEMBLY	
DRAWING NO.	A. B-21-C.
MATERIAL	D.F.S. simplex for 98
NO. REQUIRED	1.
DRAWN BY	H.C.L.
TRACED BY	H.C.L.
DATE	MAY 27 1913