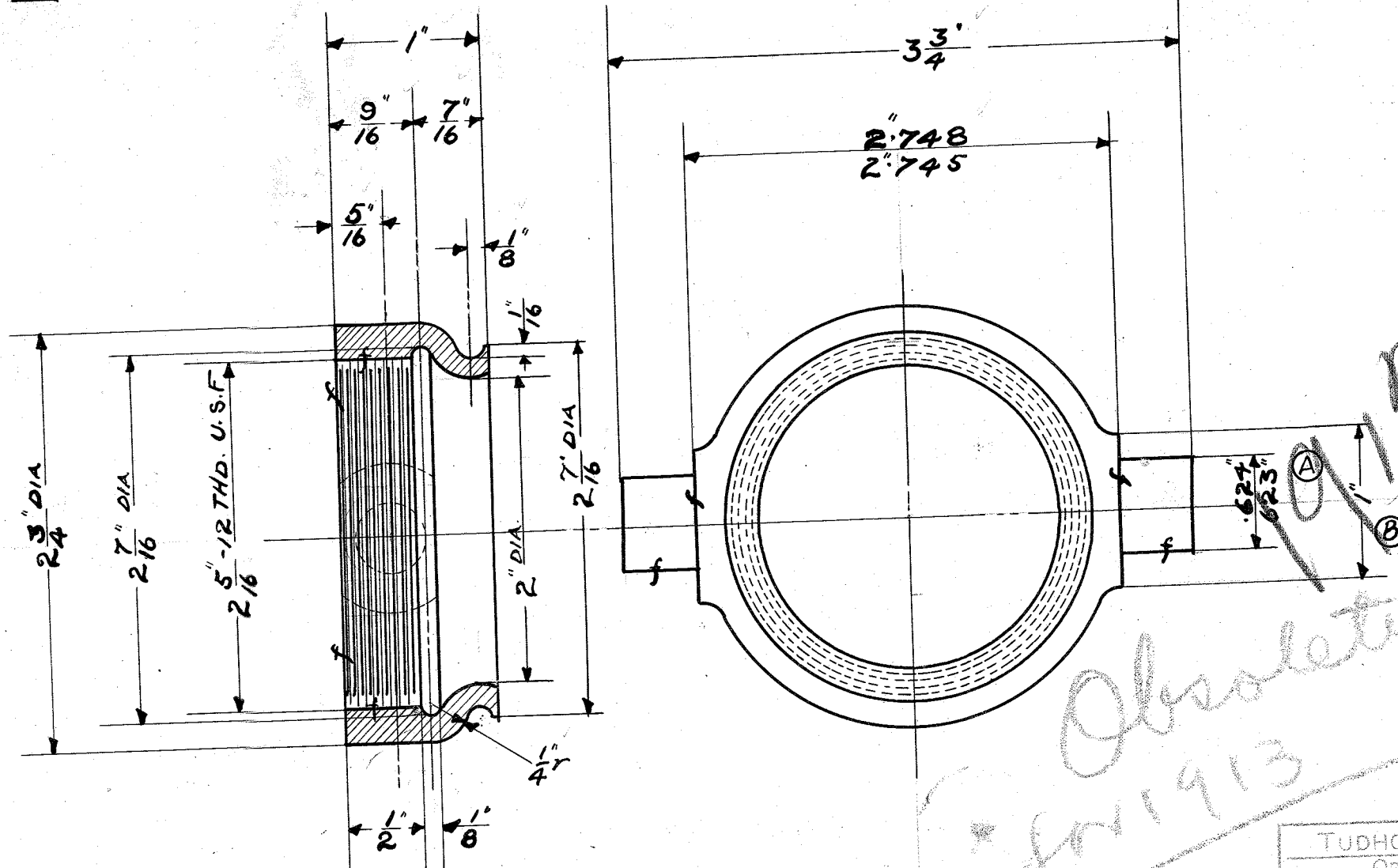


# EL-21

(A) FROM  $\frac{499}{400}$  TO  $\frac{624}{623}$  M.M.G 5-6-12  
 (B) FROM  $\frac{3}{4}$  TO 1" M.M.G 5-6-12



*Obsolete*  
*for 1913*  
 10/12

TUDHOPE MOTOR CO.	
ORILLIA, CANADA.	
<b>TRUNNION COLLAR.</b>	
DRAWING NO. <b>E-L-21</b>	
MATERIAL <b>MALL IRON</b>	
NO. REQUIRED <b>1</b>	
DRAWN BY <b>RWC</b>	CHECKED BY,
TRACED BY <b>JLA</b>	APP'D BY
DATE <b>3-28-12. 10-2-12.</b>	