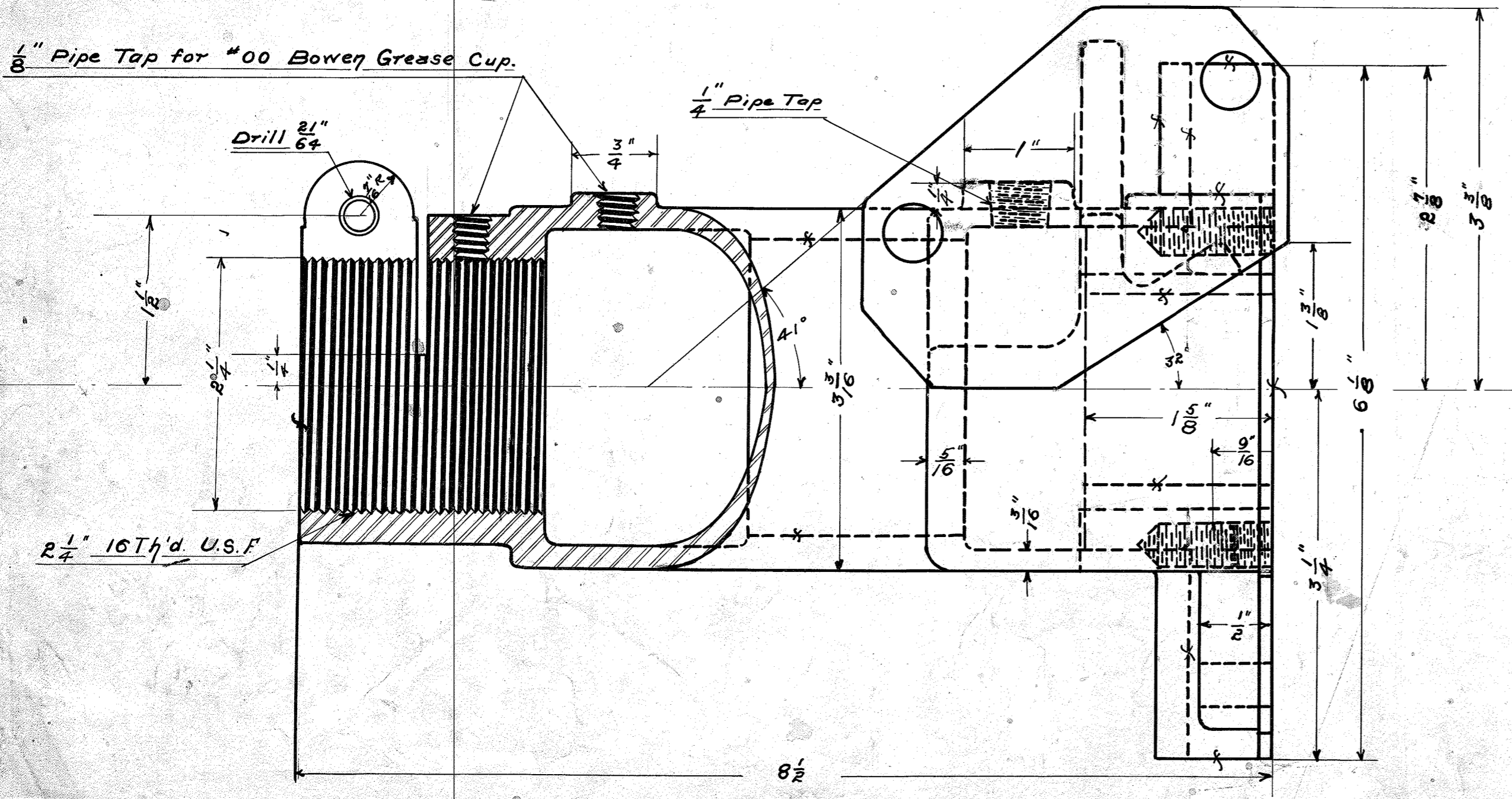
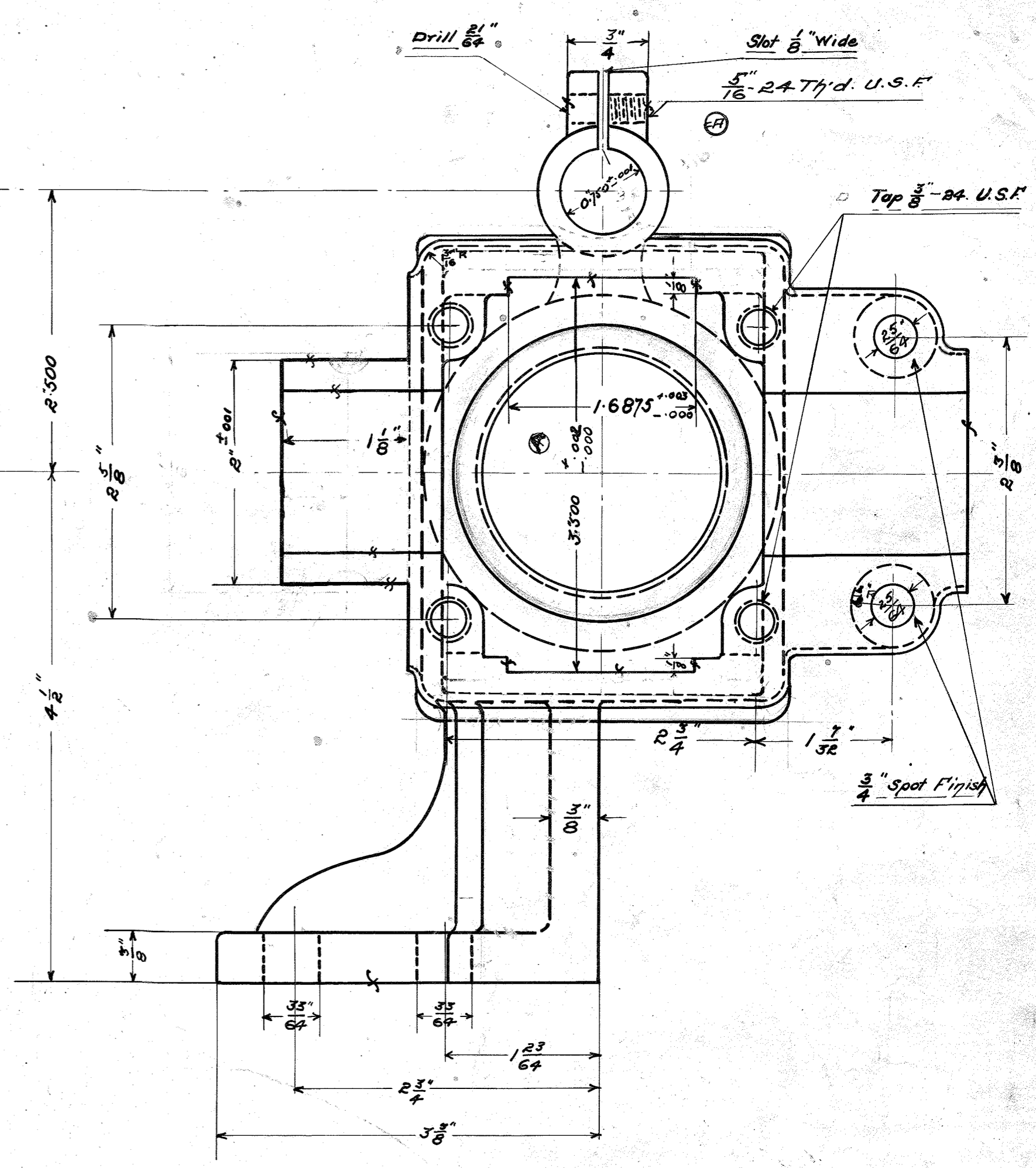
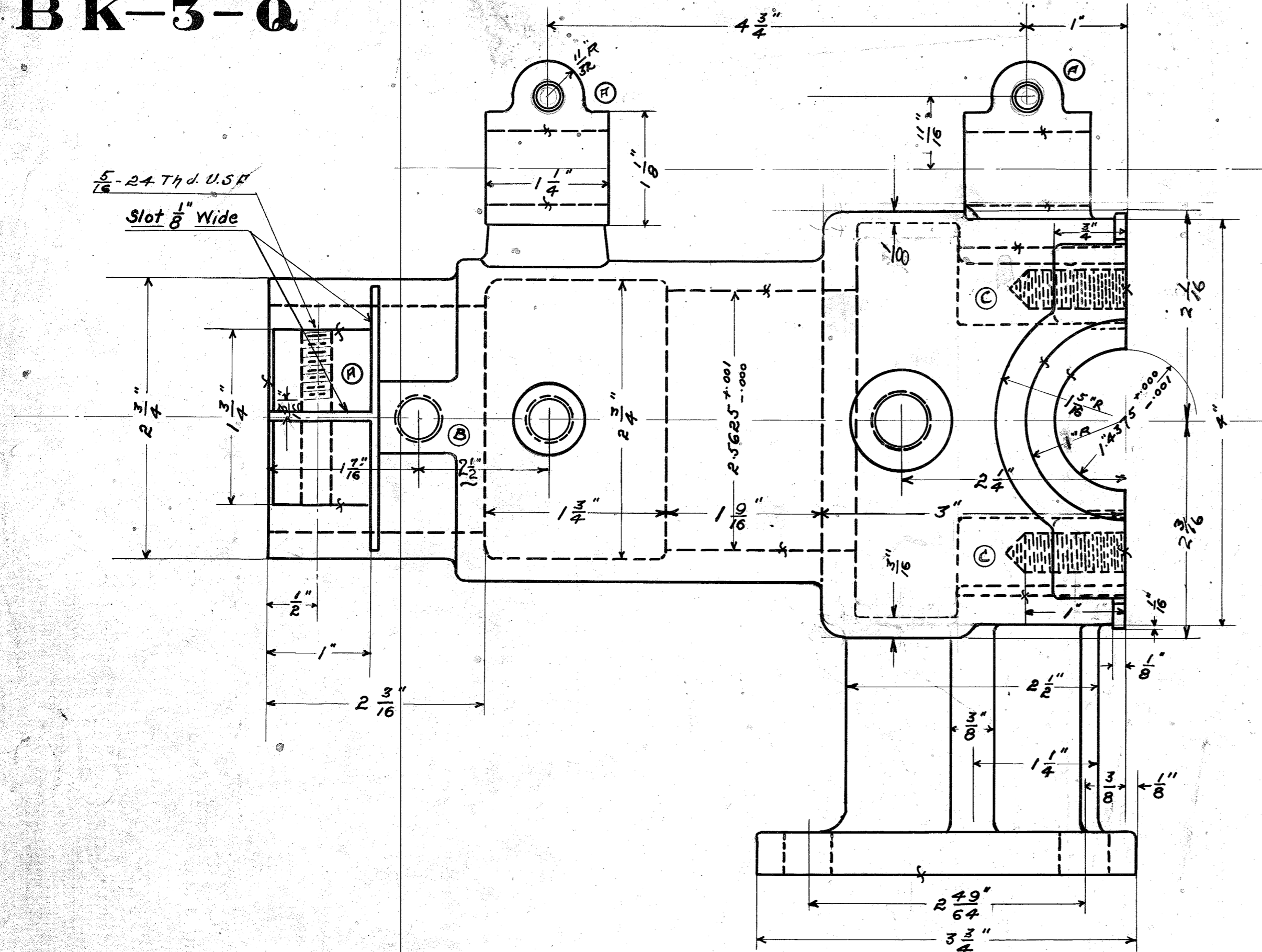


# BK-3-Q

From 2-001/6 to 2-002-000 6-10-12



- (A) 5-24 T h.d. U.S.F. added. 1-30-12
- (B) FROM 1 3/8 TO 2 1/2 T.M. Co. 9-28-12
- (C) DESIGN CHANGED T.M. Co. 9-28-12

TUDHOPE MOTOR Co.	
Orillia, Can.	
STEERING GEAR CASE	
UPPER HALF	
Drawing No.	BK-3-Q
Material	Mall. Iron
No. Required	1-
Drawn by	C.R.C. C.H.K.
Traced by	C.R.C. App'd.
Date	11-11-11