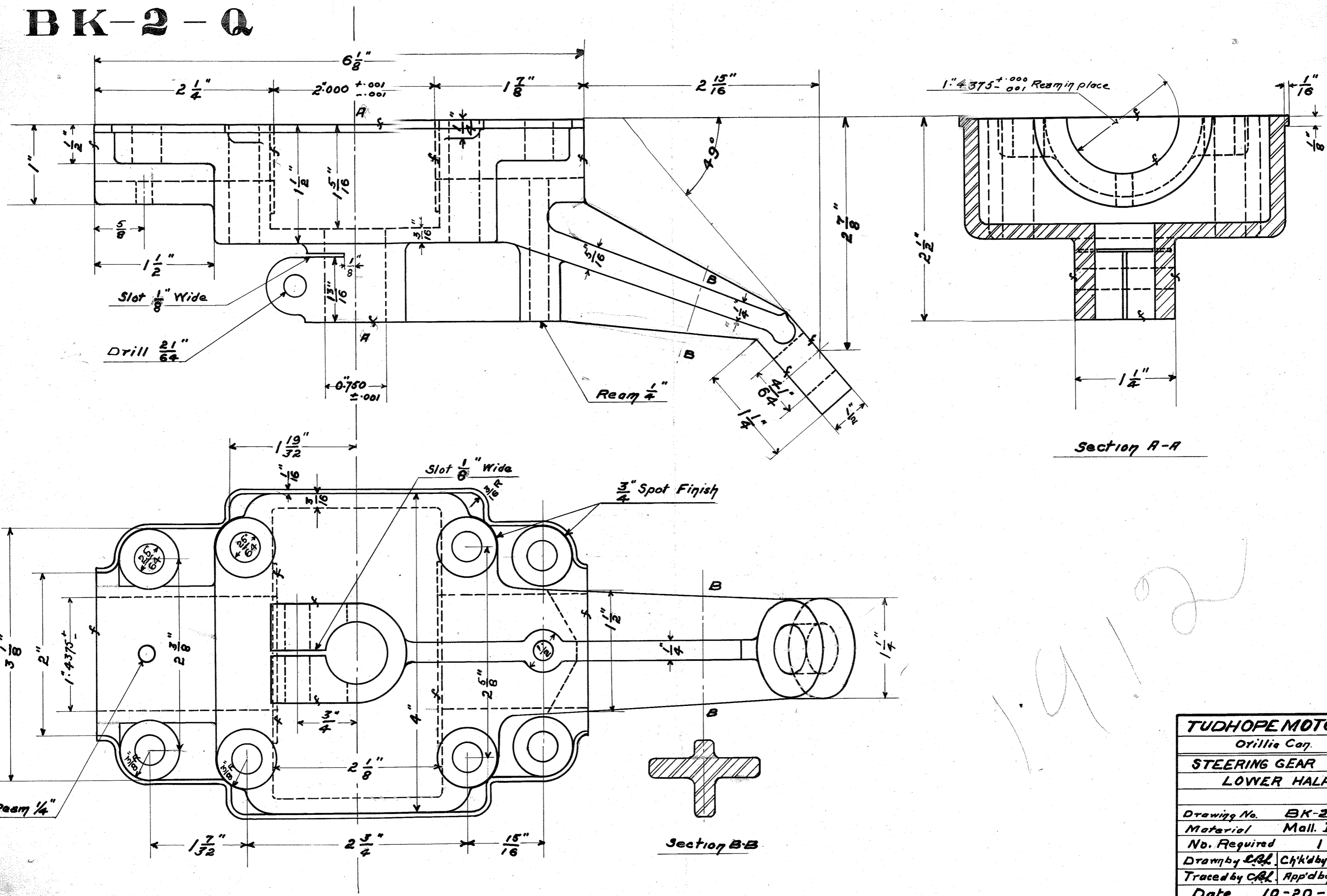


BK-2-Q



Handwritten notes and scribbles, including a large number '2' and some illegible markings.

| | |
|--------------------|------------------|
| TUDHOPE MOTOR Co. | |
| Orillia Can. | |
| STEERING GEAR CASE | |
| LOWER HALF | |
| Drawing No. | BK-2-Q |
| Material | Mall. Iron |
| Nb. Required | 1 |
| Drawn by | C.R.L. Ch'k'd by |
| Traced by | C.R.L. App'd by |
| Date | 10-20-11 |