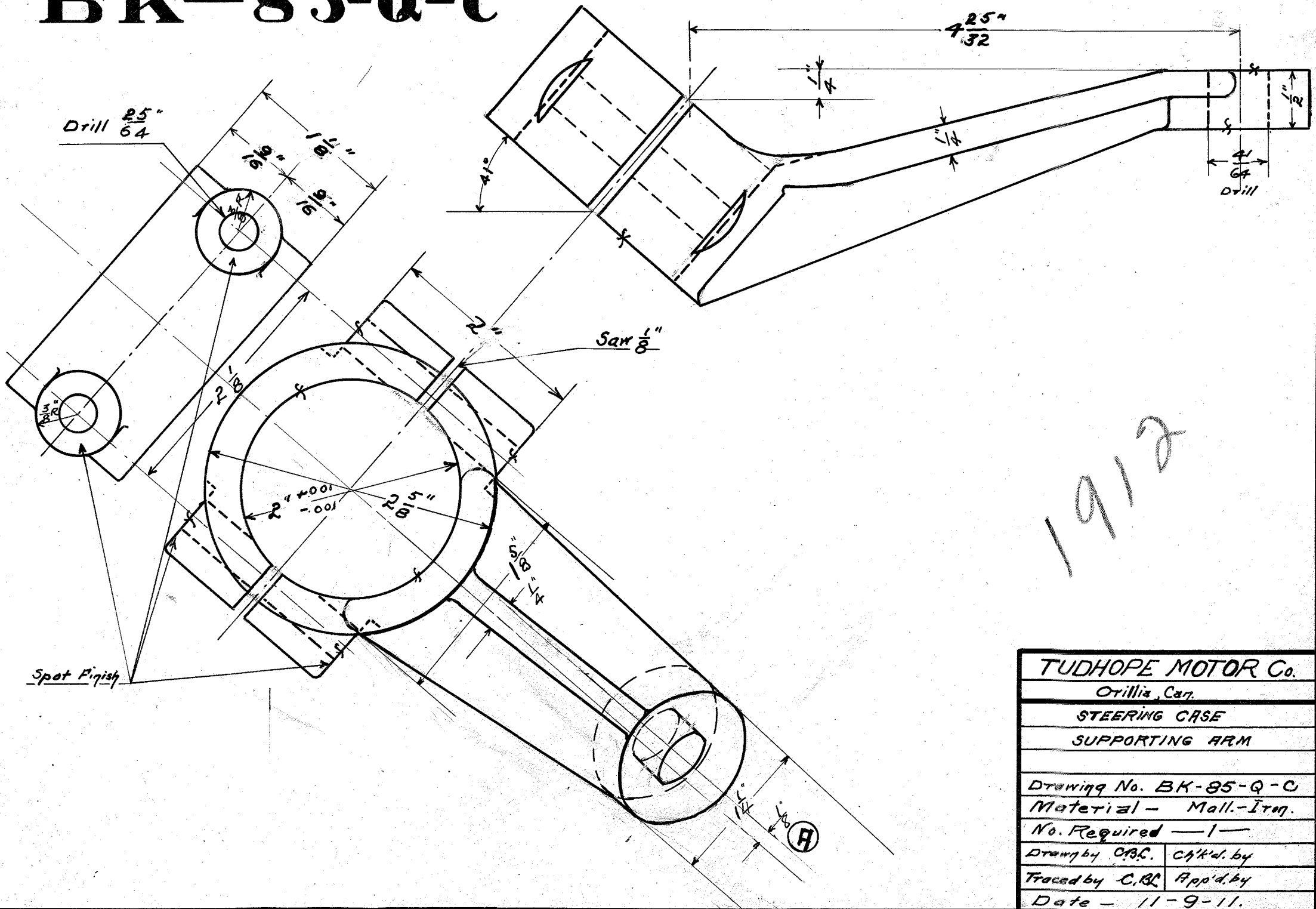


BK-85-Q-C

(A) Moved off centre $\frac{1}{8}$ --- 1-23-12



1912

TUDHOPE MOTOR Co.	
Orillia, Can.	
STEERING CASE	
SUPPORTING ARM	
Drawing No. BK-85-Q-C	
Material - Mall.-Iron.	
No. Required - 1 -	
Drawn by C.B.C.	Ch'kd. by
Traced by C.B.C.	App'd. by
Date - 11-9-11.	