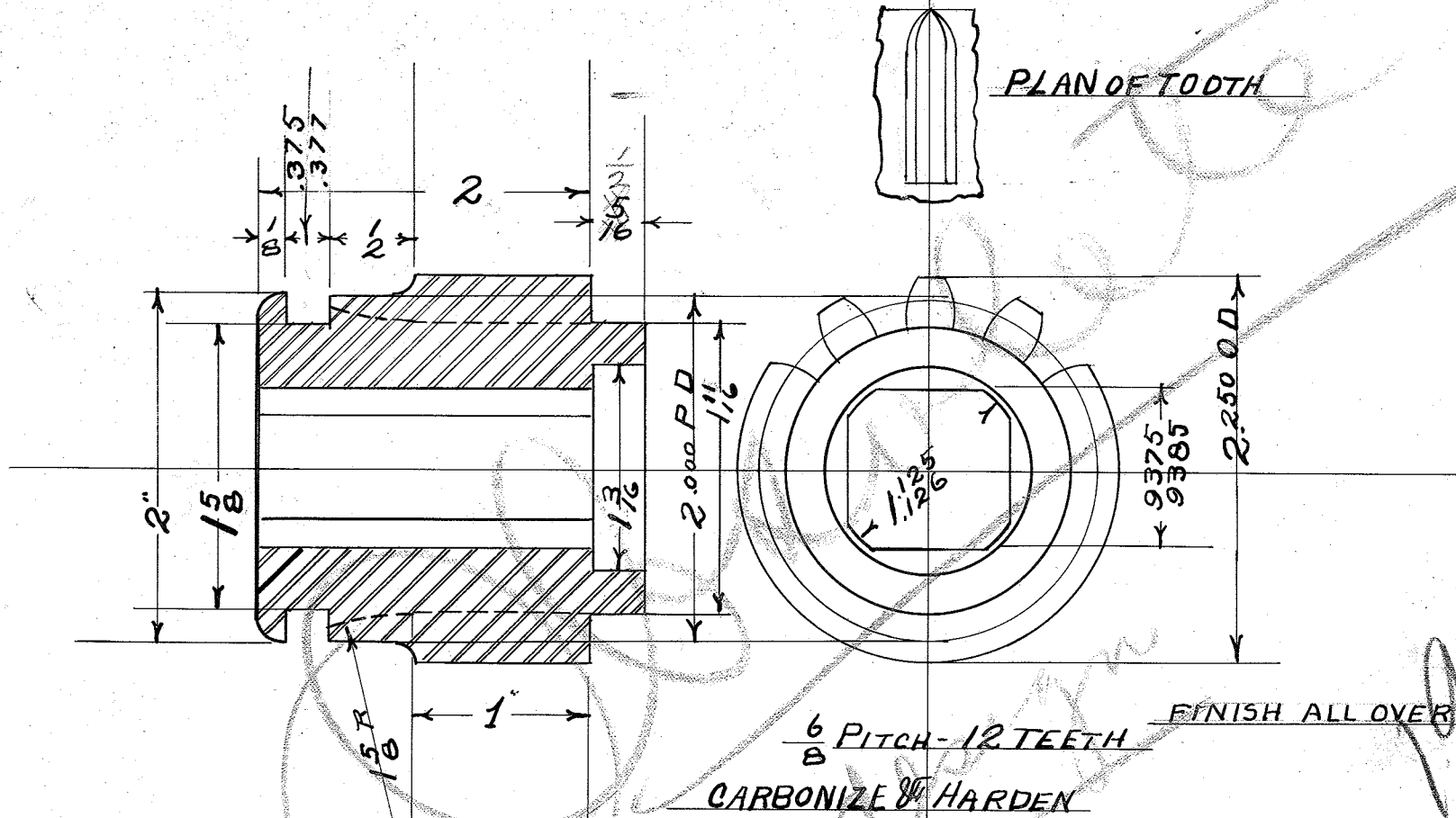


ER2Q



TUDHOPE MOTOR CO., ORILLIA, CANADA.	
STARTER SLIDING GEAR	
DRAWING No. ER2Q	
MATERIAL C-RS	
No. REQUIRED 1	
DRAWN BY J/B	CHECKED BY
TRACED BY "	APP'D BY
DATE 11/13-12	

new design

11/13 J/B