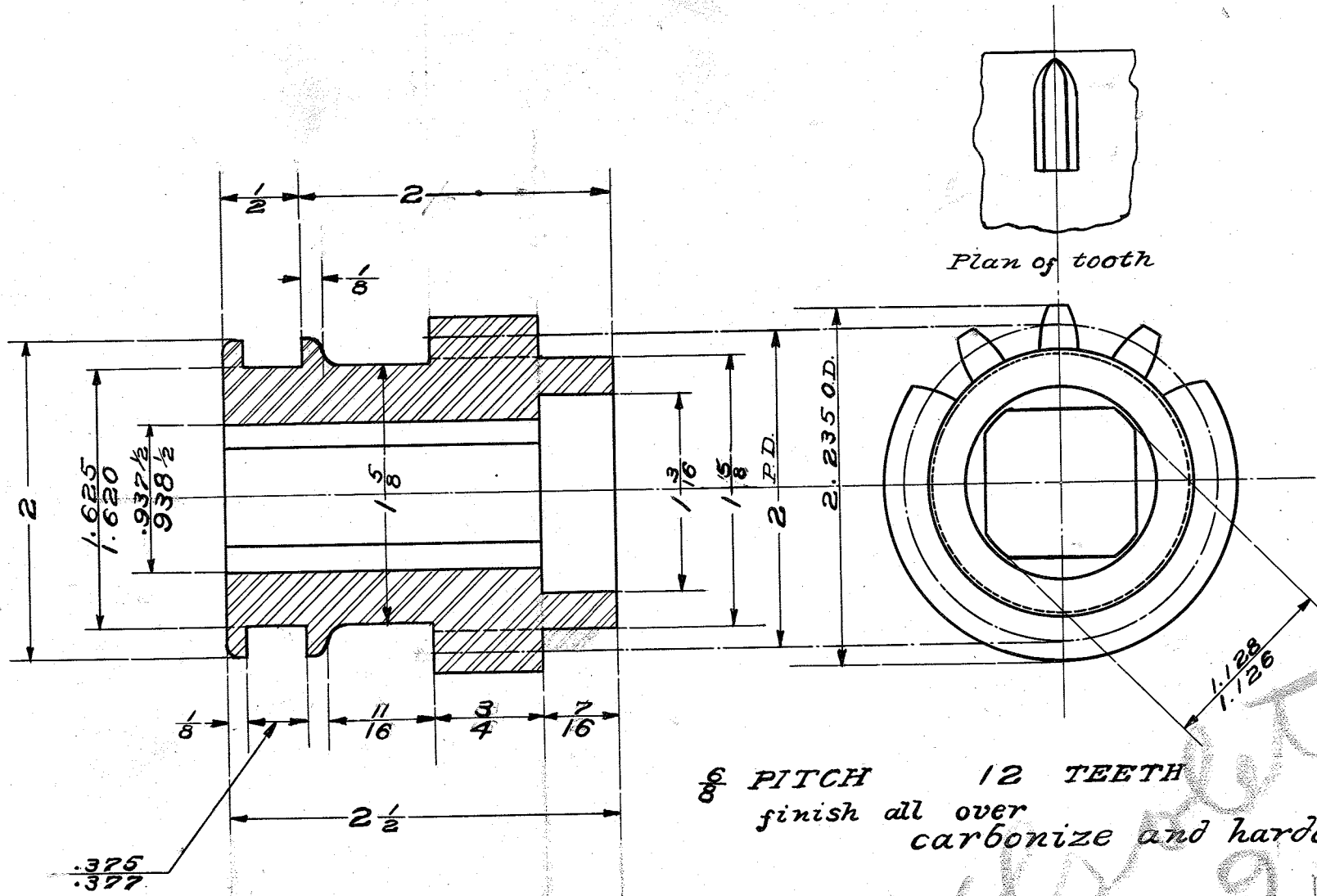


ER2Q.

REDRAWN 5.17.13.



6/8 PITCH 12 TEETH
finish all over
carbonize and harden.

TUDHOPE MOTOR CO.	
ORILLIA, CANADA	
STARTER SLIDING GEAR	
DRAWING NO.	E.R.2.Q.
MATERIAL	C.R.S.
NO. REQUIRED	1. per car.
DRAWN BY	H.C.L.
TRACED BY	H.C.L.
DATE	MAY. 17. 1913.