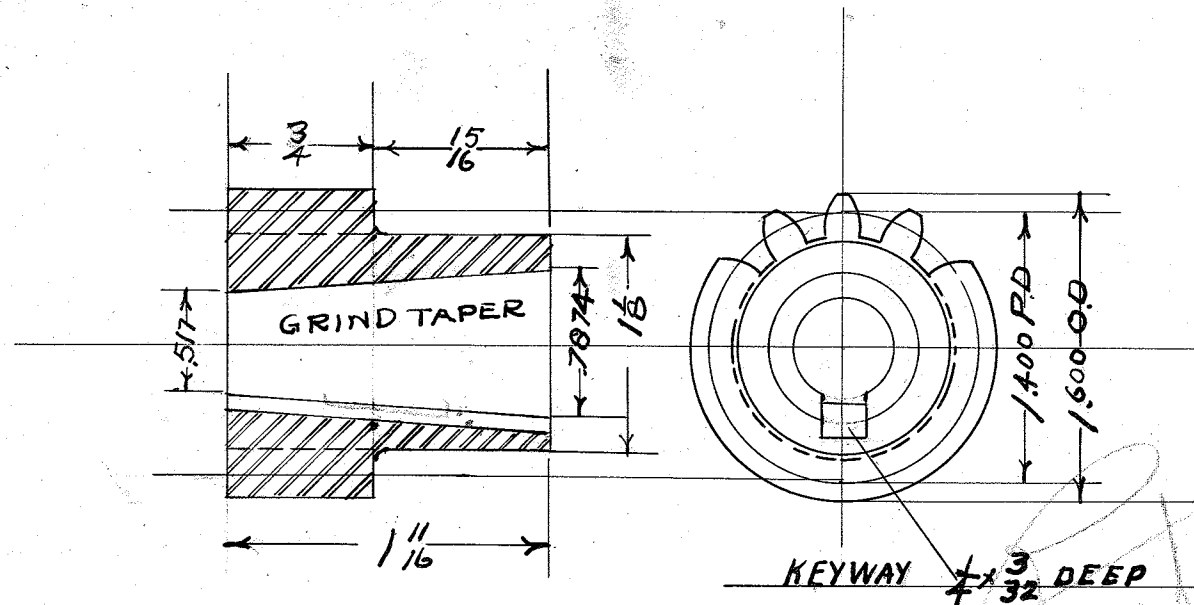


ER-4-Q



FINISH ALLOVER

14 TEETH 10-PITCH

CARBONIZE $\frac{1}{64}$ DEEP & HARDEN. & GRIND

Handwritten signature and scribbles

TUBROPE MOTOR CO.	
ORILLIA, CANADA	
STARTER MOTOR	
PINION	
QUANTITY	ER 4 Q
MATERIAL	CRS
NO. REQUIRED	1
DRAWN BY	W/B
CHECKED BY	
TRADED BY	"
APPROVED BY	
DATE	11/13-12

OK