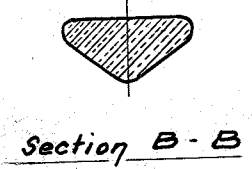
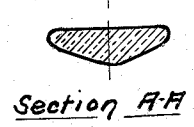
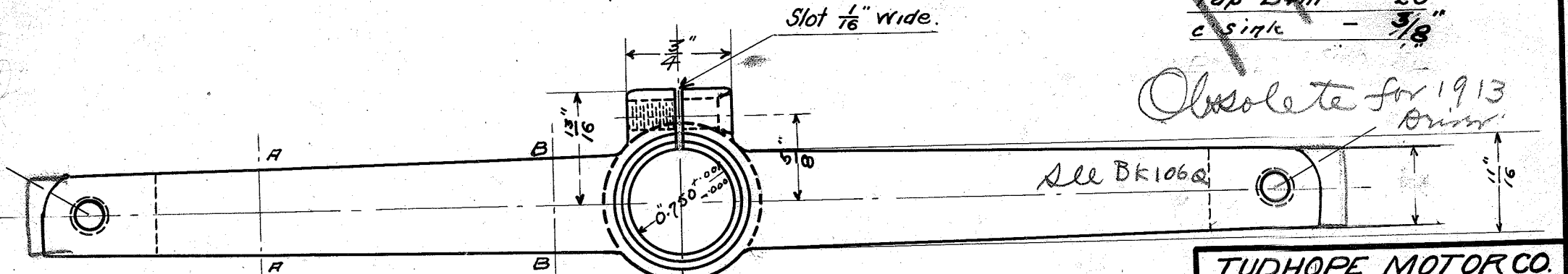
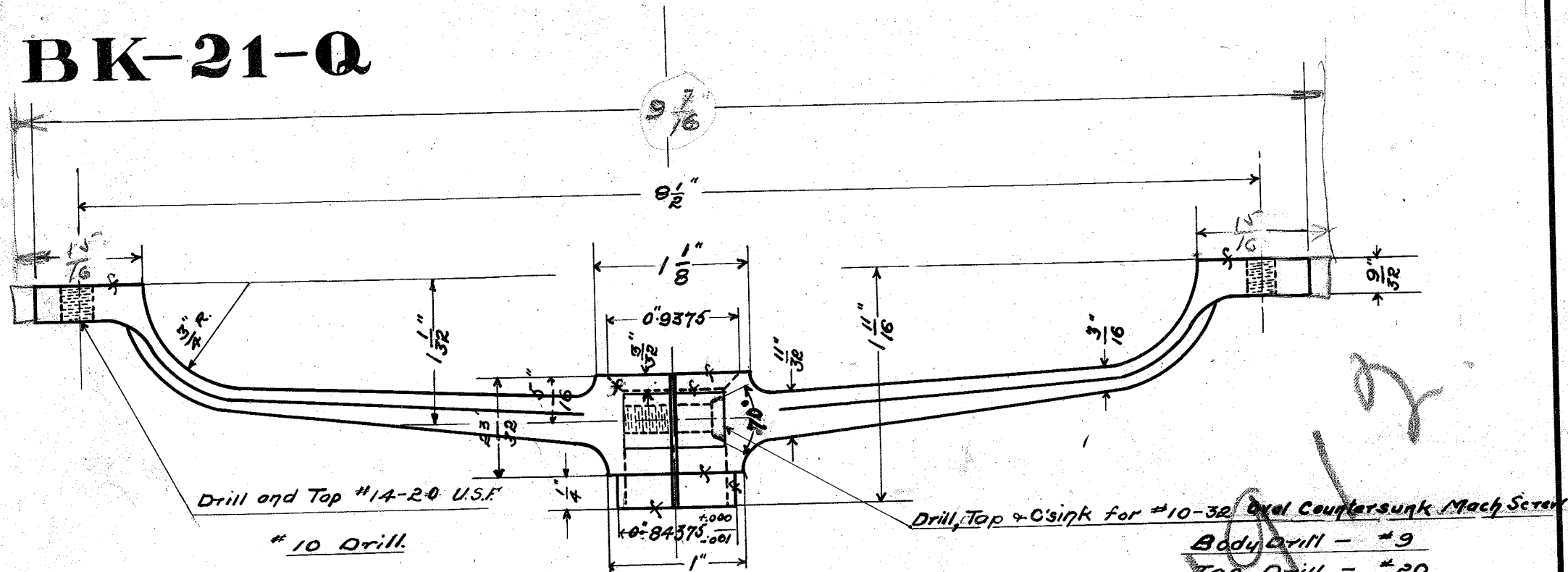


BK-21-Q



- Body Drill - #9
- Tap Drill - #20
- c sink - 3/8"

*Obsolete for 1913
Drum*

Polish and Nickel-plate

TUDHOPE MOTOR CO.	
Orillia, Can.	
SPARK & THROTTLE QUADRANT BRACKET	
Drawing No. BK-21-Q	
Material - Brass Casting	
No. Required. 1	
Drawn by C.B.L.	Ch'k'd. by
Traced by C.B.L.	App'd. by
Date	10-24-11