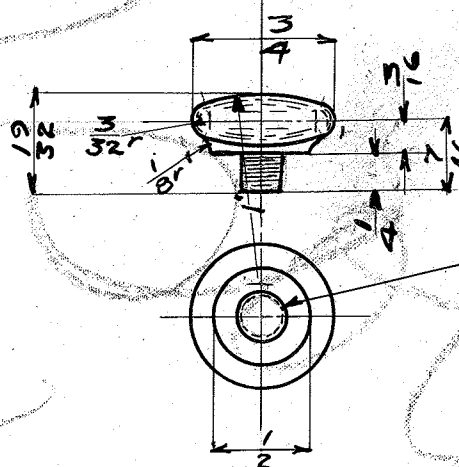


BK-109-Q



9/13/13  
JLA

TUDHOPE MOTOR CO., ORILLIA, CANADA	
SPARK V THROTTLE CONTROL LEVER KNOB	
DRAWING NO.	BK-109Q
MATERIAL	BAR BRASS
NO. OF COPIES	2
DRAWN BY	JLA
CHECKED BY	
TRACED BY	JLA
APP'D BY	
DATE	1-16-13