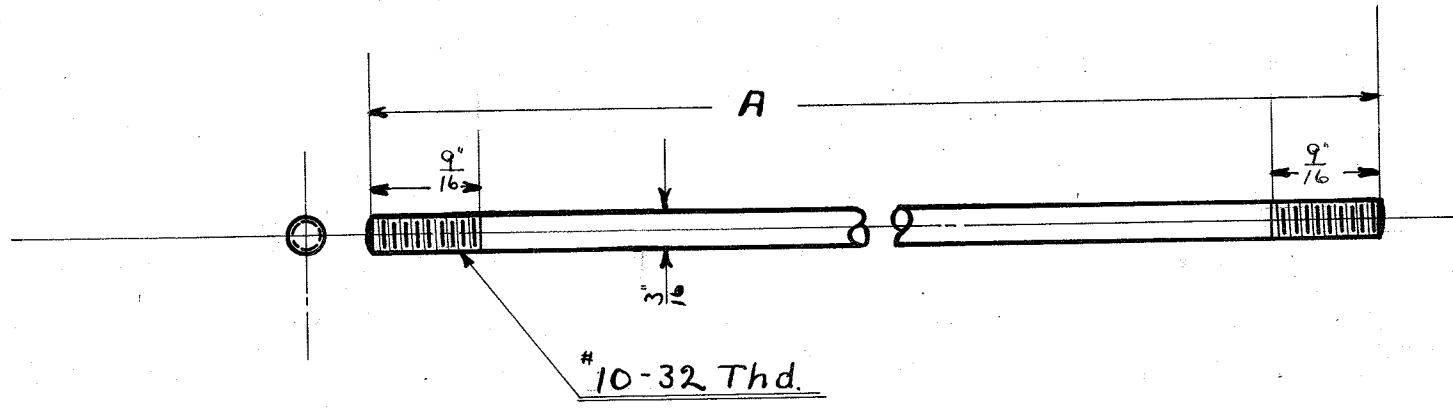


BK-95-Q.

absolute



A for 4 Cyl.
A for 6 Cyl. $11\frac{3}{8}$

1912

TUDHOPE MOTOR Co	
Orillia Canada	
SPARK CONTROL	
ROD.	
Drawing No. --- BK 95-Q	
Material --- C.R.S.	
No required --- 1	
Drawn by - J.L.A	Ch'kd by - F.L.G.
Traced by - J.L.A	App. by -
Date --- 3-25-12.	