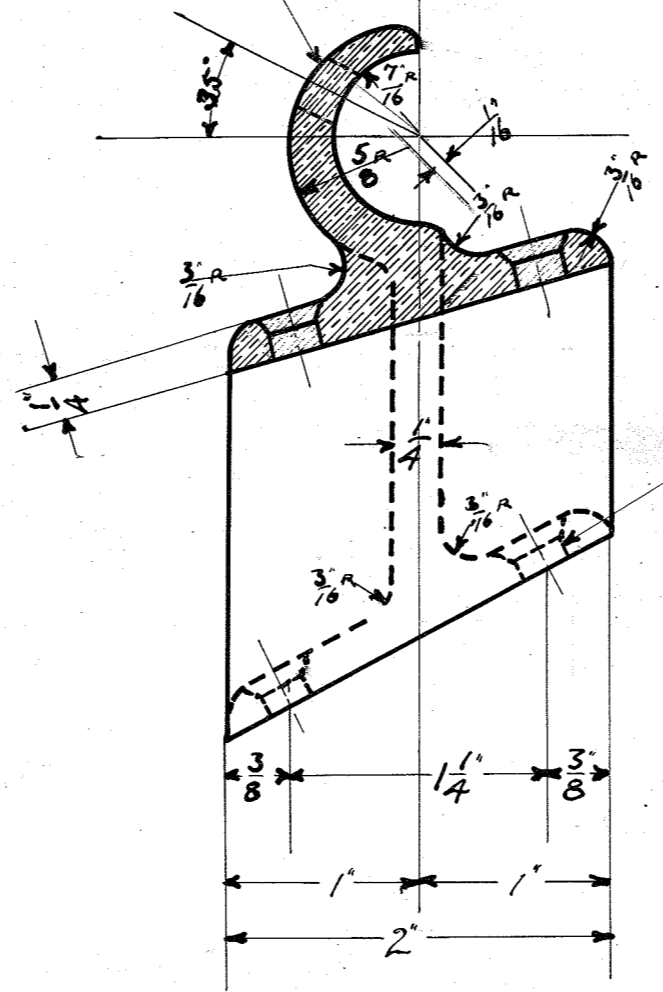
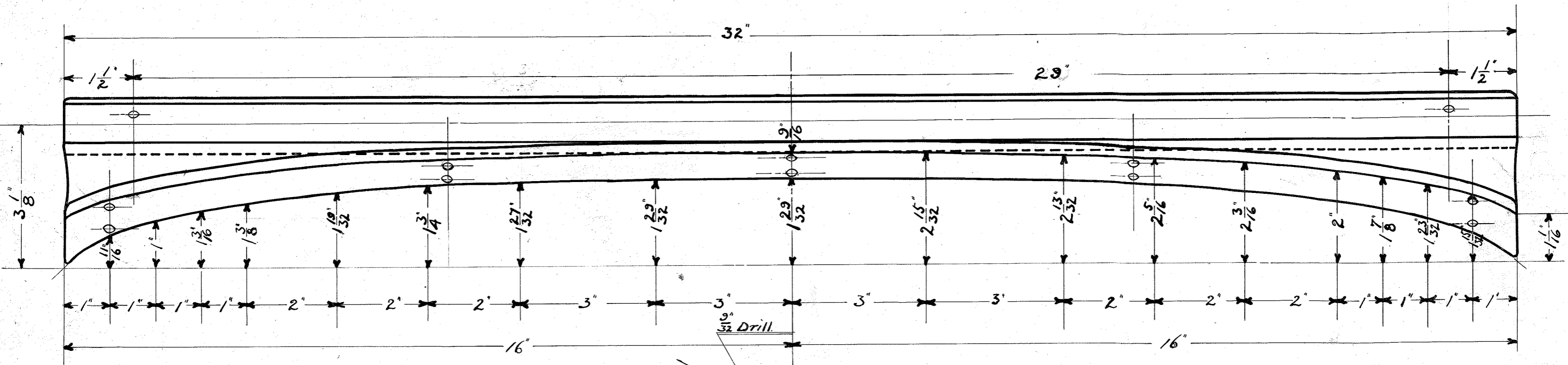


B Q - 166 - F



10 Holes.
Drill & Countersink for 1/4" Flat Head Machine Screw.

TUDHOPE MOTOR Co.	
Orillia - Canada.	
ROADSTER WINDSHIELD BRACKET.	
Drawing No.-B.Q. 166. F.	
Material---Aluminum	
No. required---1	
Drawn by-F.L.G.	Chk'd by-F.L.G.
Traced by-J.L.A.	App. by-
Date---5-23-12.	