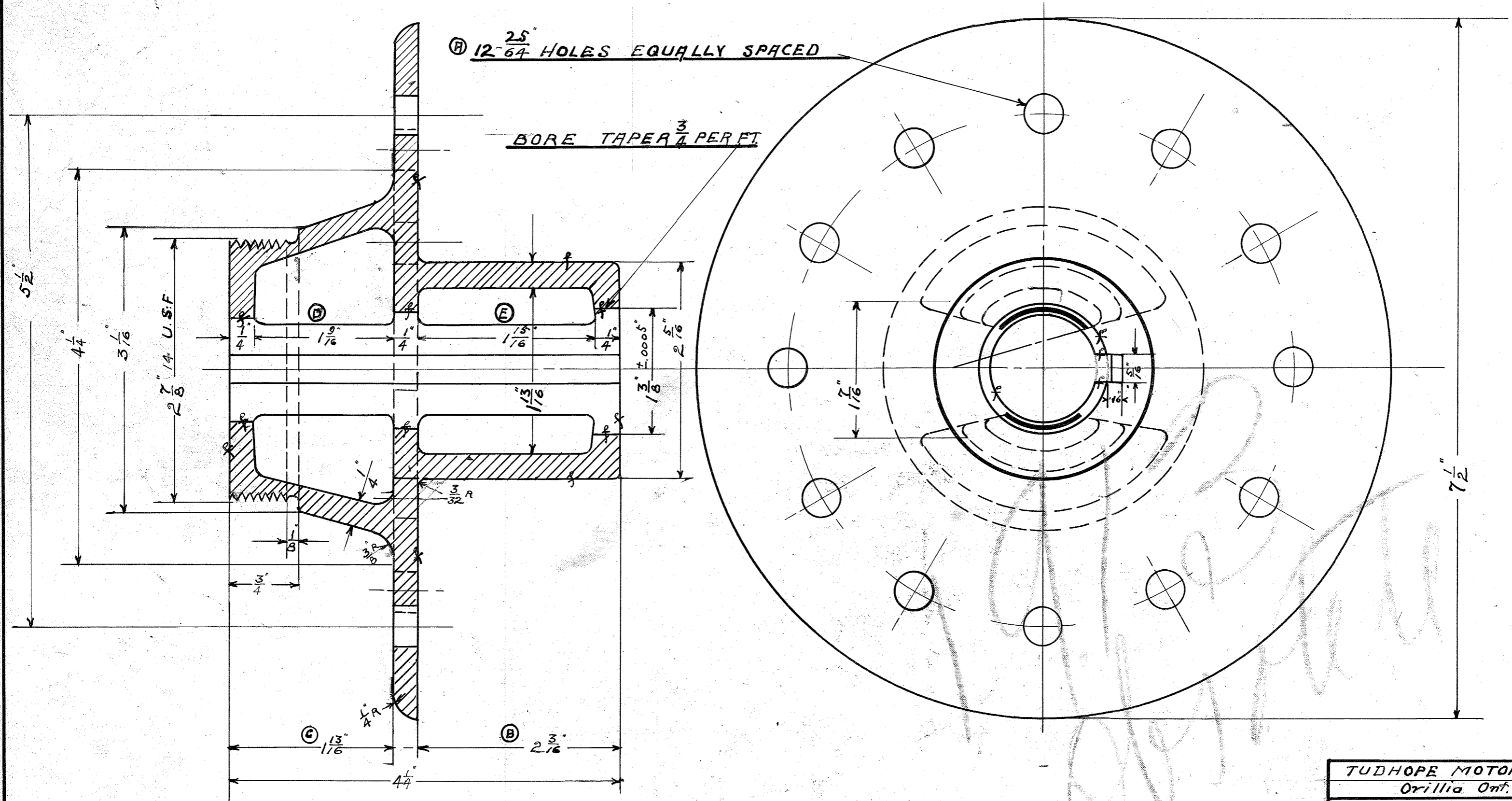


BE-70

- (A) From 6 to 12 holes ----- 6-14-11
- (B) From $1\frac{13}{16}$ to $2\frac{3}{16}$ ----- 6-20-11
- (C) From $2\frac{3}{8}$ to $1\frac{9}{16}$ ----- 6-20-11
- (D) From $1\frac{13}{16}$ to $1\frac{9}{16}$ ----- 6-20-11
- (E) From $1\frac{9}{16}$ to $1\frac{13}{16}$ ----- 6-20-11



NOTE: STRAIGHTEN CASTING.

TUDHOPE MOTOR Co	
Orillia Ont.	
REAR HUB	
Drawing No. - B.E. 70	
Material - Mall. Iron.	
No required - 2	
Drawn by - R.W.C	Ch'kd by - F.L.G.
Traced by - T.L.S.	App. by -
Date - 6-20-11	