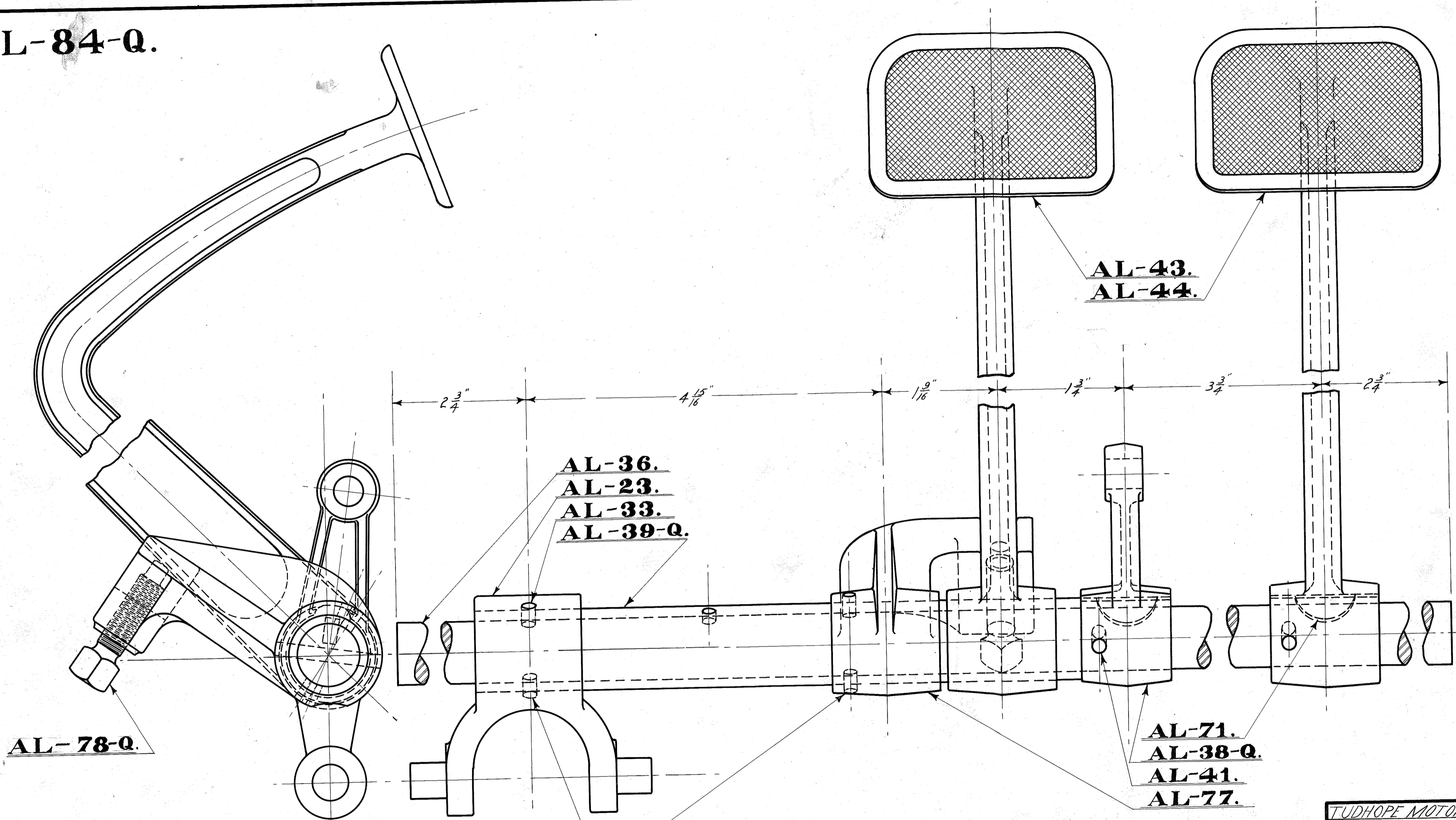


AL-84-Q.



*Pinned & brazed in place. Pins
flush with inside of tube*

TUDHOPE MOTOR Co.	
ORILLIA CANADA	
PEDAL SHAFT ASSEMBLY	
DRAWING NO. - AL-84-Q	
MATERIAL -	
NO. REQUIRED - 1	
DRAWN BY - FLG	CHECKED BY -
TRACED BY - FLG	APP. BY -
DATE - 8-8-1911	