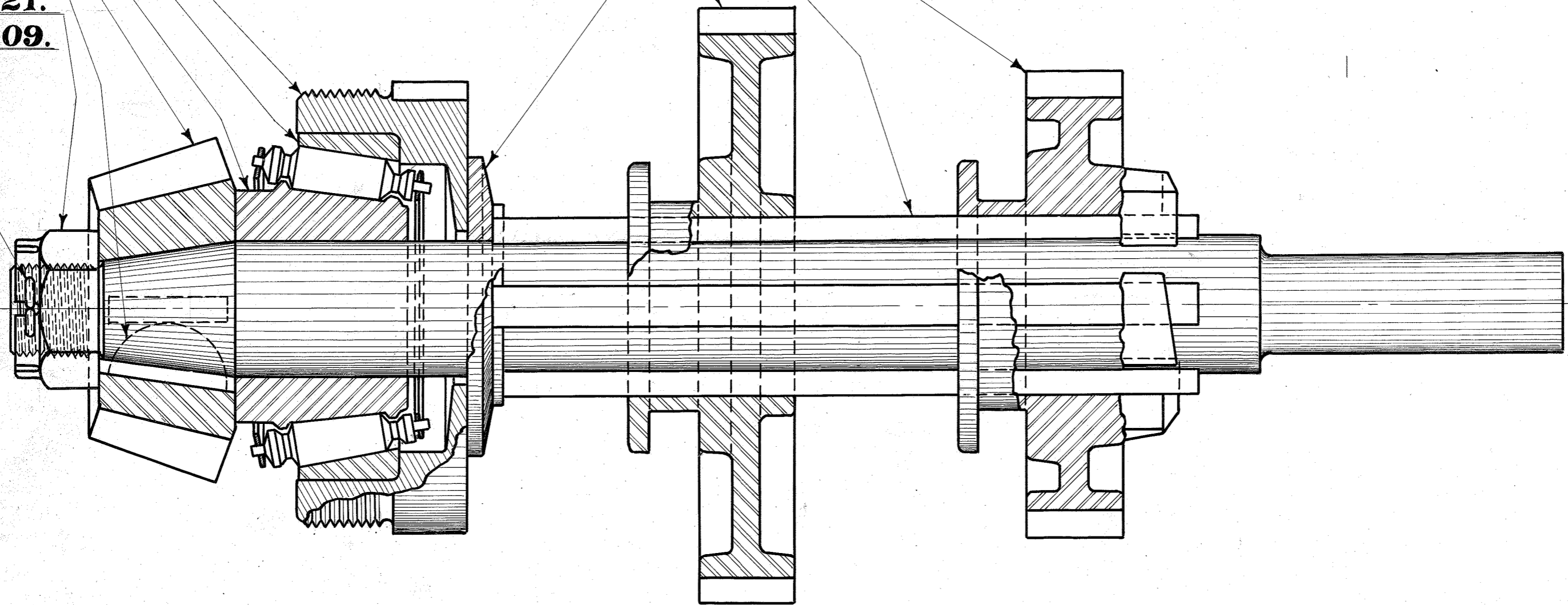


BD-40.

- AE - 16.
- AE - 19.
- AE - 20.
- BE - 11.
- BD - 36.
- AE - 21.
- AE - 109.

- AD - 8.
- BD - 10.
- AD - 9.
- AD - 31.



TUDHOPE MOTOR Co.
ORILLIA CANADA
MAIN TRANSMISSION
SHAFT ASSEMBLY.
DRAWING NO. BD-40.
MAT'L. -
NO. REQUIRED - 1
DRAWN BY: UCR. CHECKED BY: FG.
TRACED BY: FLG. APPBY: -
DATE: - 5-4-1910