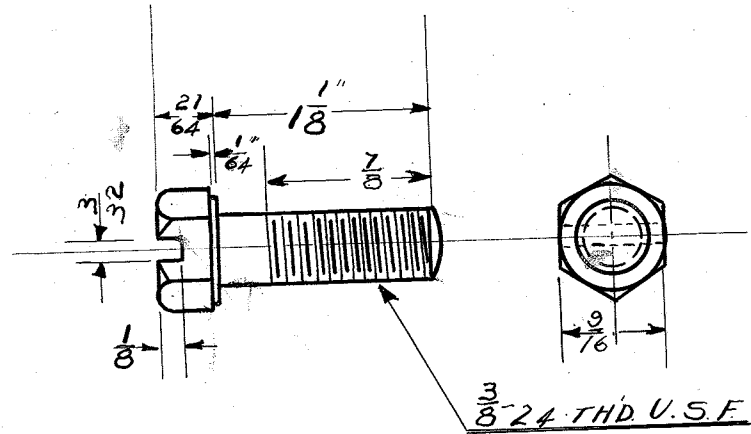


# BM-44.



*Obsolete*

TUDHOPE MOTOR CO.

ORILLIA, CANADA.

MAGNETO STRAP BOLT.

DRAWING NO. BM-44.

MAT'L - C.R.S.

NO. REQUIRED - 1

DRAWN BY A/CHECKED BY F/G.

TRACED BY H/H/APP BY

DATE - 7-6-11.