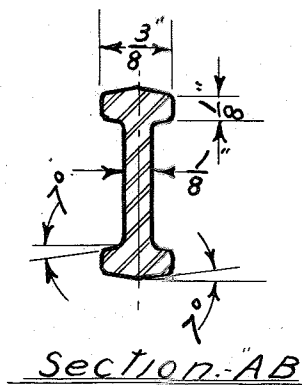
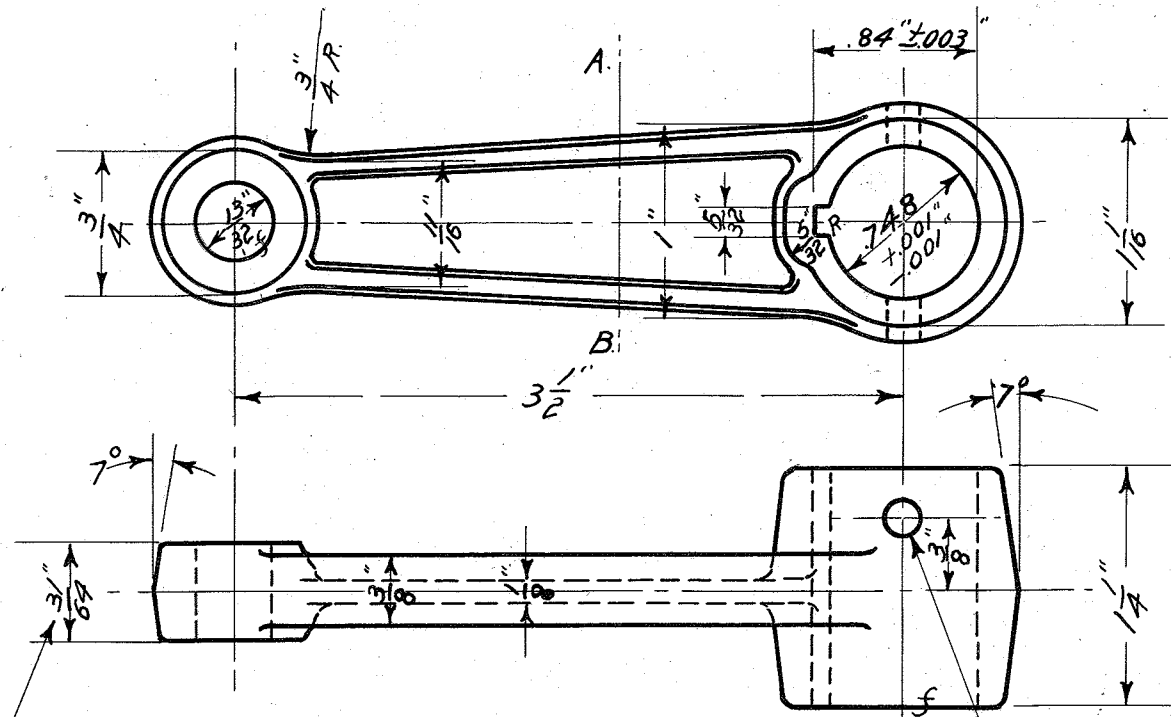


AL-5.

Ⓐ Finish added - - - - - 9-11-11



1912

Note: - forging must come not under $\frac{3}{16}$ " or over $.498$ " Drill $\frac{3}{16}$ "

TUDHOPE MOTOR Co.	
ORILLIA CANADA	
INTERNAL & EXTERNAL BRAKE LEVER	
DRAWING NO. - AL-5.	
MATERIAL - D.F.S.	
NO. REQUIRED 4	
DRAWN BY - L.P.W.	CHECKED BY - G.R.
TRACED BY - FLG	APP. BY -
DATE - 12-30-1910	