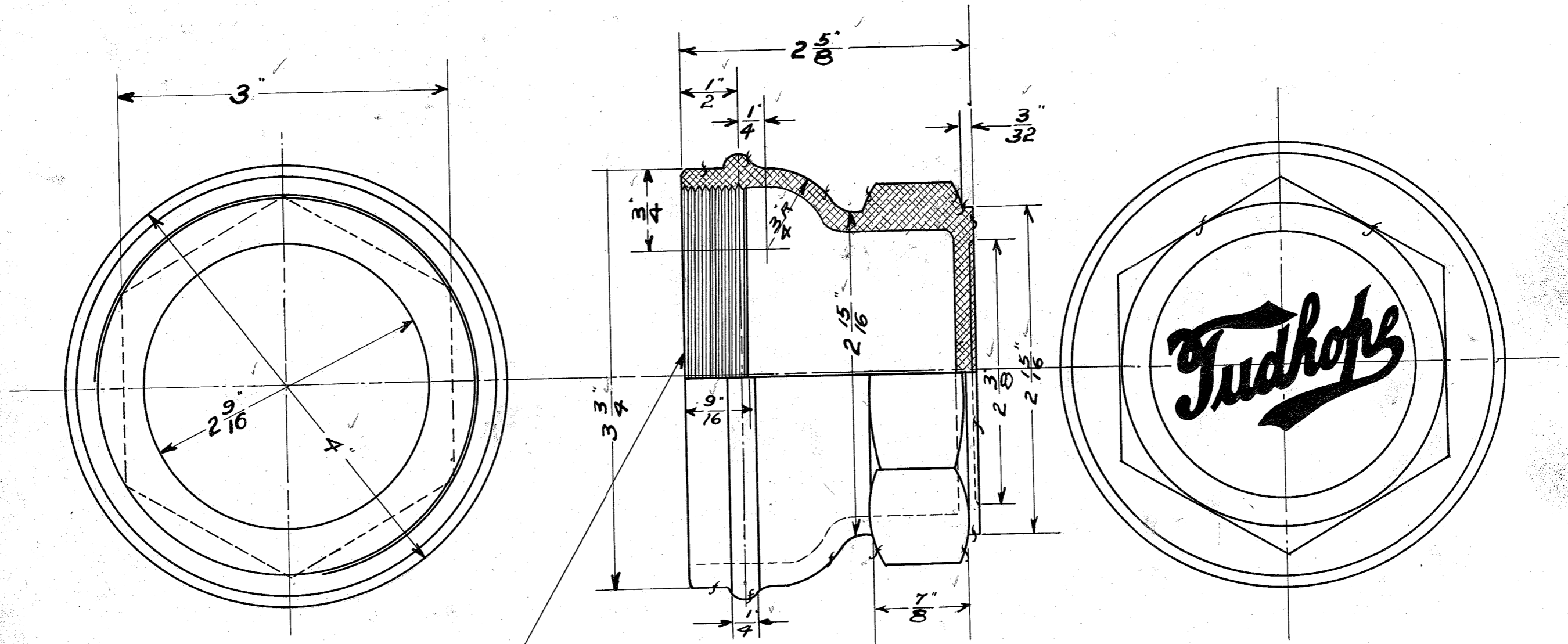


EF-42.



$3 \frac{7}{16}$ - 16 V THD.

2 REQ'D PER CAR
MODEL 48

TUDHOPE MOTOR CO., ORILLIA, CANADA.	
HUB CAP FRONT.	
DRAWING NO. - EF-42.	
MATERIAL - ALUMINUM.	
NO. REQUIRED - 2	
DRAWN BY J.C.E.	CHECKED BY
TRACED BY H.H.	APP'D. BY
DATE - 11-14-12.	