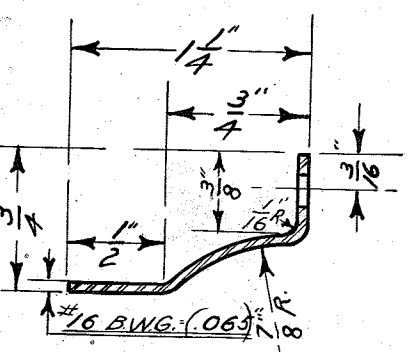
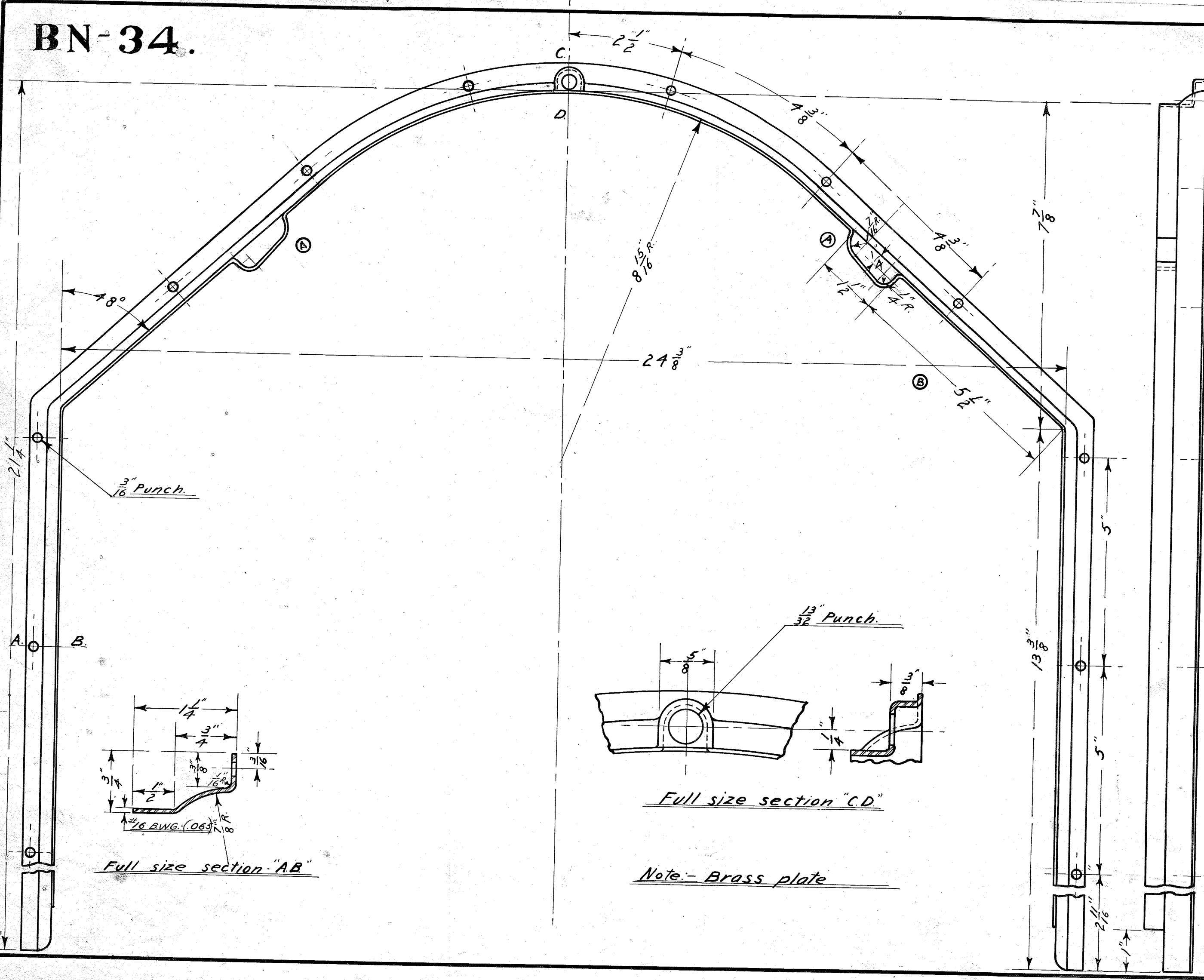


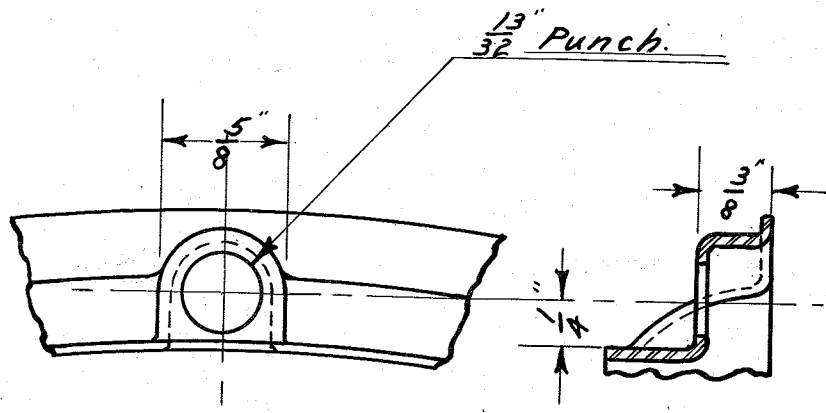
**BN-34.**

(A) Access changed -- 12-30-11

(B) From 6 1/8 to 5 1/2 -- 12-30-11



Full size section "A.B"



Full size section "C.D"

Note: - Brass plate

TUDHOPE MOTOR Co	
ORILLIA CANADA.	
HOOD SUPPORTING BRACKET	
DRAWING NO. - BN-34	
MATERIAL - #16 B.W.G. - C.R.S. - STAMPING	
NO. REQUIRED - 1	
DRAWN BY - A.J.	CHECKED BY - [Signature]
TRACED BY - F.L.G.	APP BY - [Signature]
DATE - 6-8-1911	