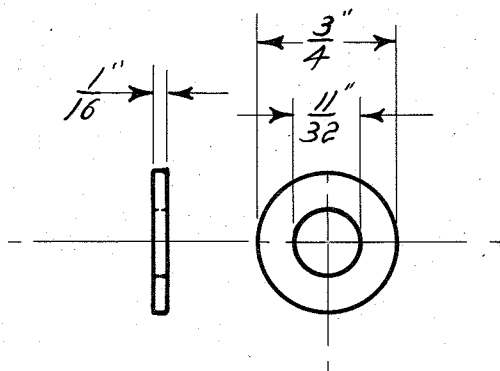


AN-45.



TUDHOPE MOTOR Co	
ORILLIA CANADA	
HOOD LOCKING	
FINGER WASHER	
"	
DRAWING NO.-AN-45	
MATH.-C.R.S STAMPING	
NO. REQUIRED.--8	
DRAWN BY-W.W.W	CHECKED BY-FLG.
TRACED BY-FLG	APP. BY-
DATE-8-14-1909	