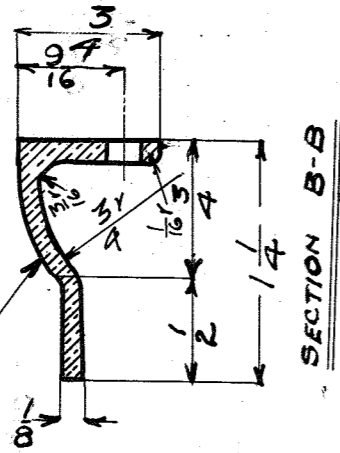


EN-36-0

FINISH SQUARE

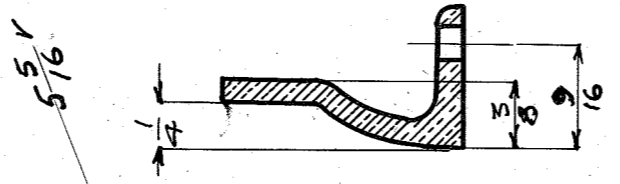
TO BE SMOOTH &
FREE FROM SAND
HOLES.



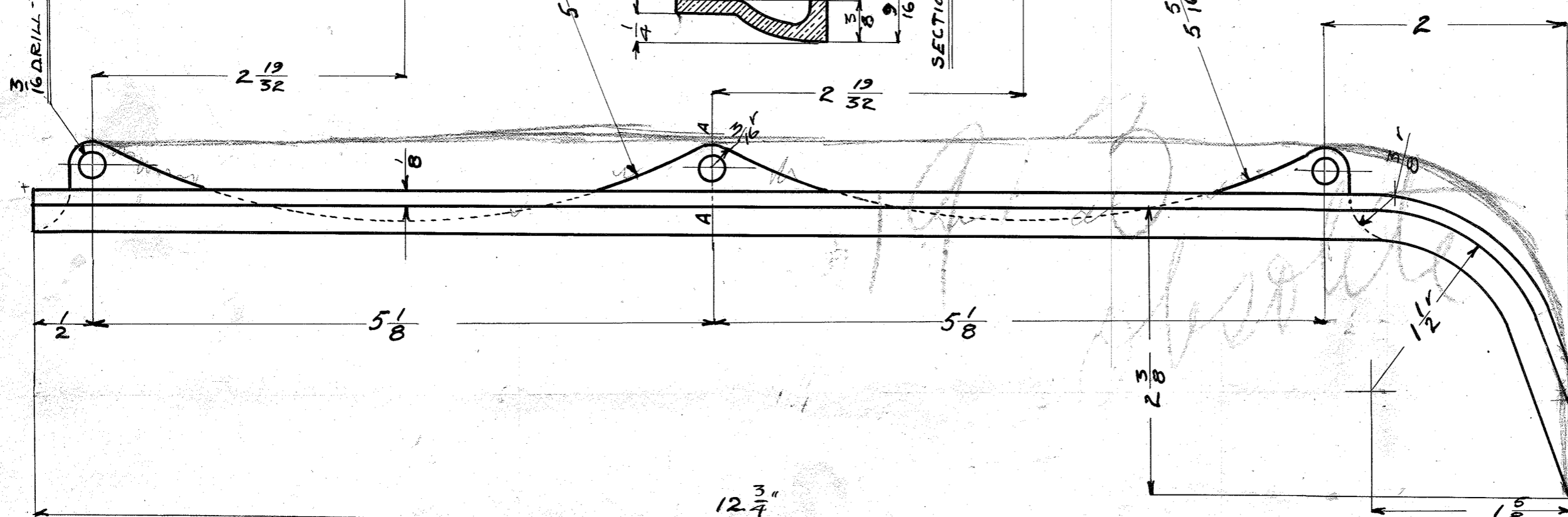
SECTION B-B

DISC GRIND BACK

3/16 DRILL - 3 HOLES



SECTION AA



TUDHOPE MOTOR CO.	
ORILLON, CANADA	
HOOD LEDGE	
-LEFT-	
DRAWING NO.	EN-36-0
MATERIAL	ALUMINUM CASTG
NO. REQUIRED	4
DRAWN BY	JLA
TRACED BY	JLA
DATE	1-7-13

Alsolenta
3-17-13