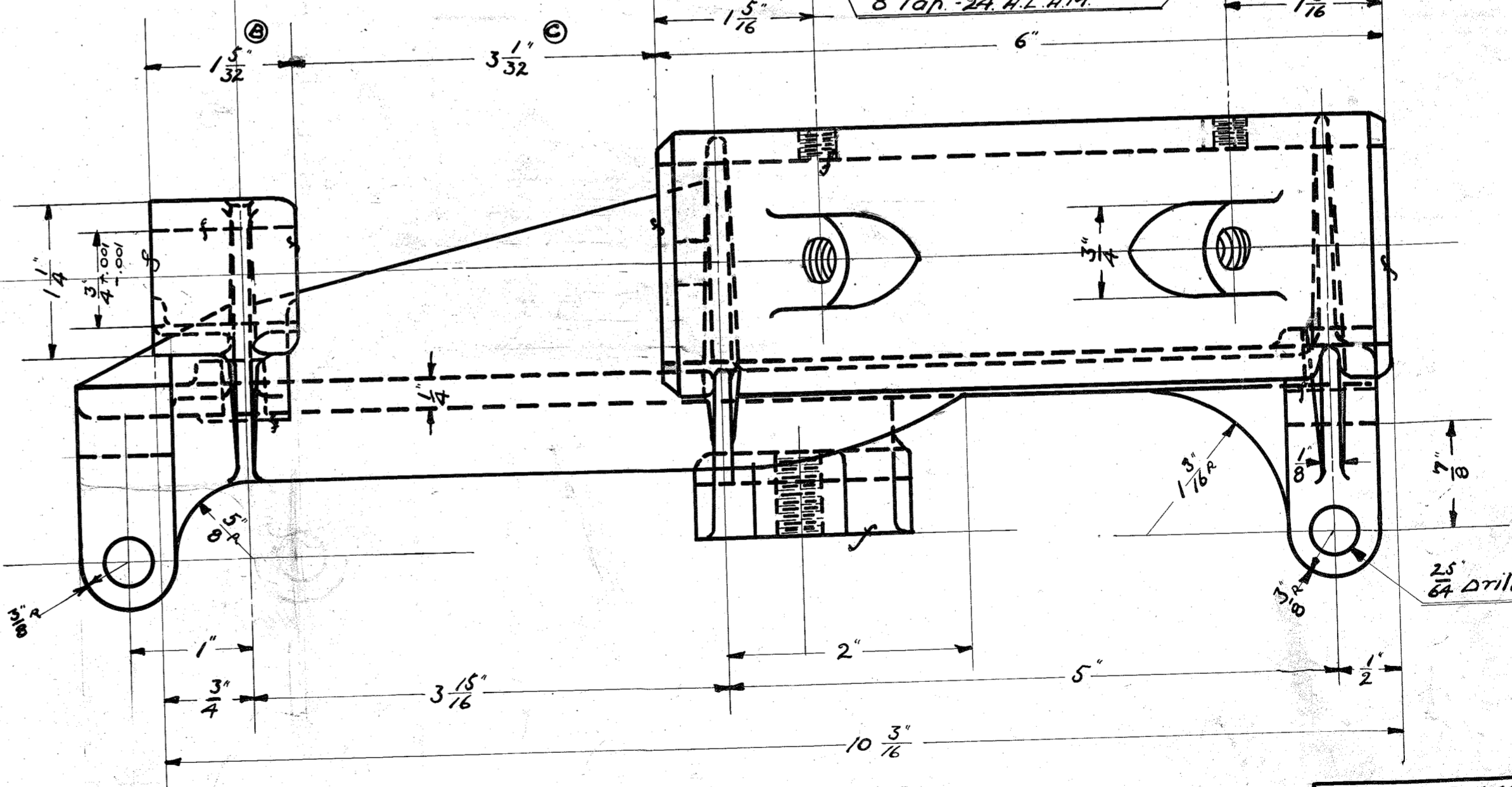
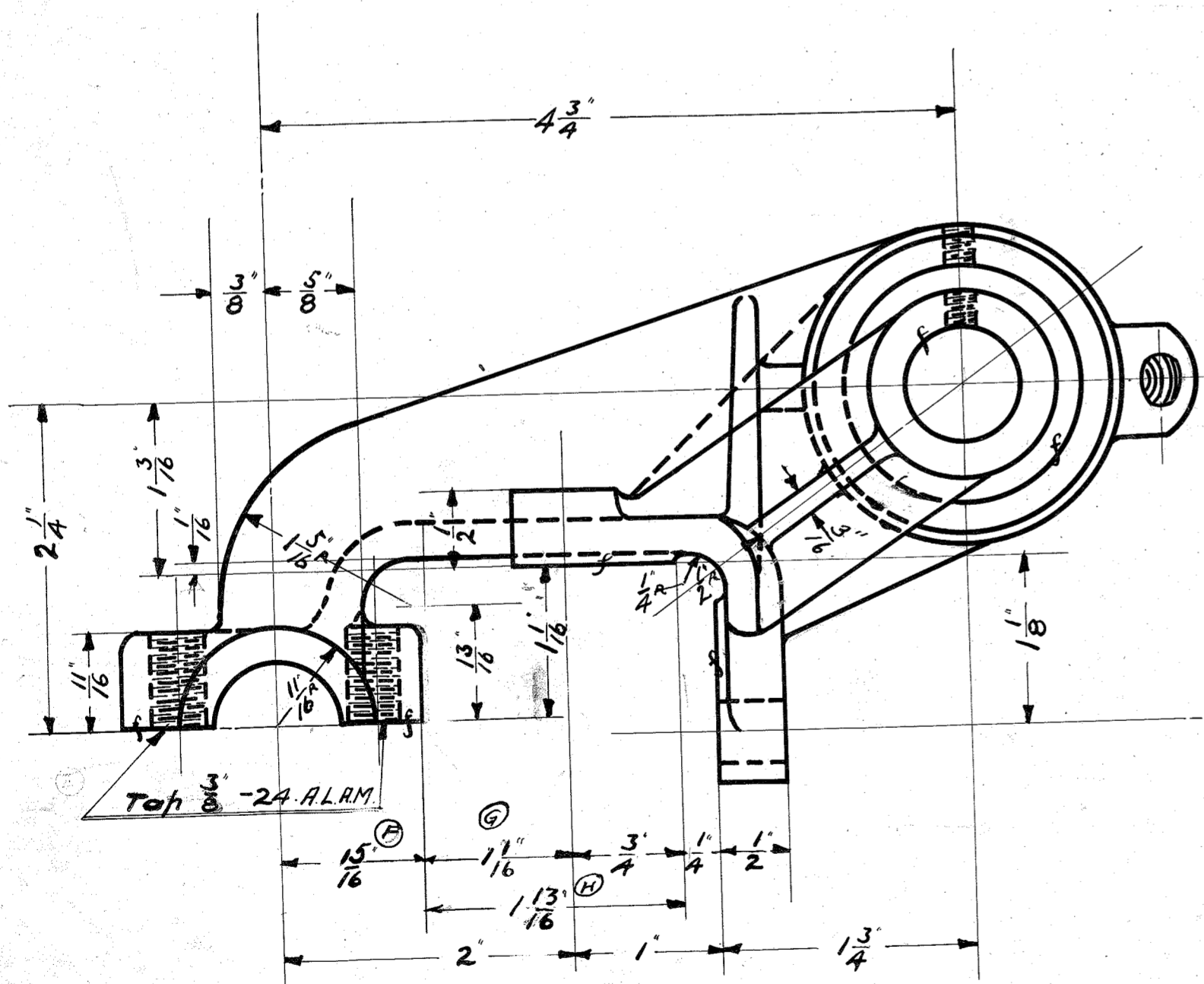
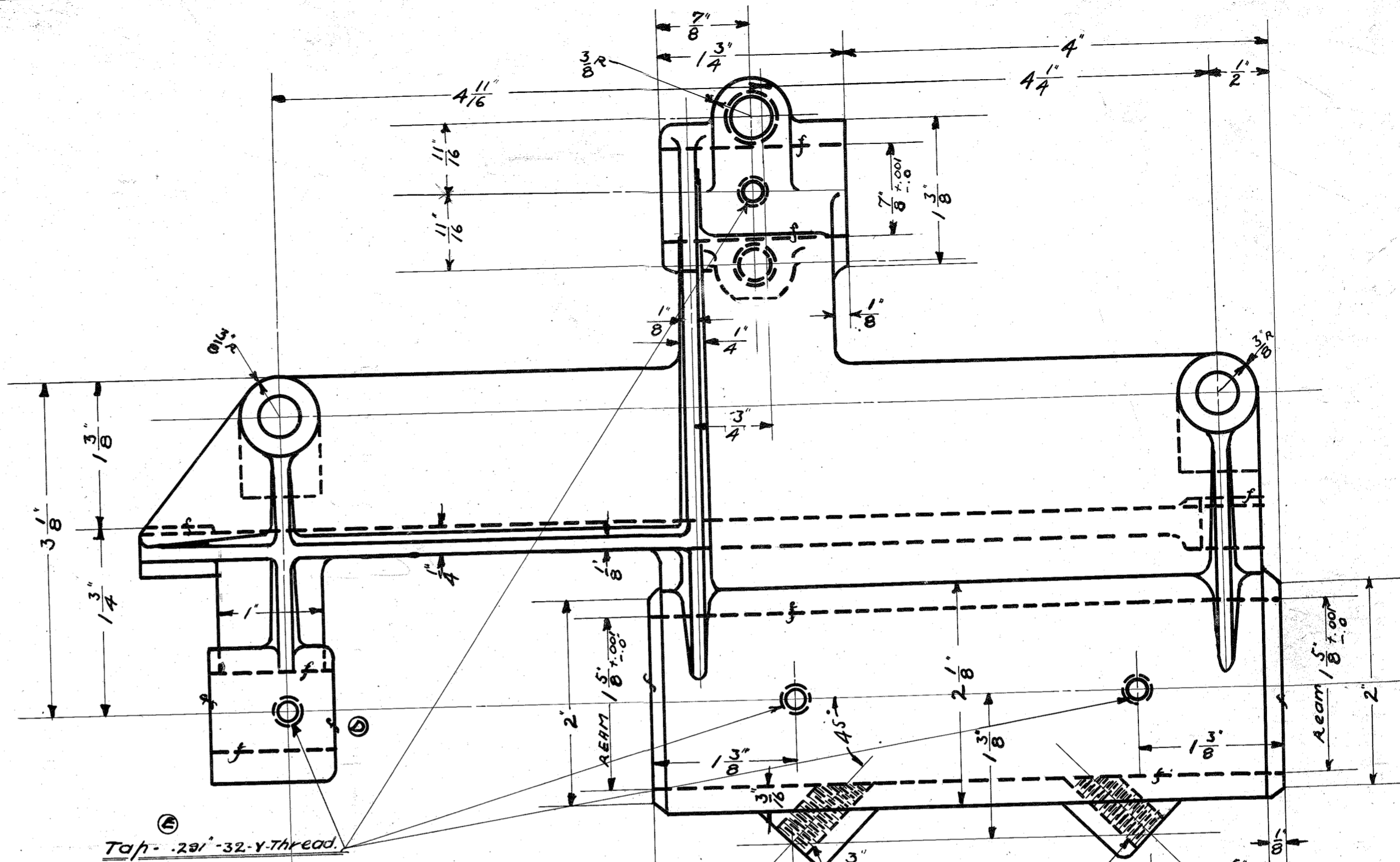


BL-2

- Ⓐ
- Ⓑ From $1\frac{3}{16}$ to $1\frac{5}{32}$ ----- 6-30-11.
- Ⓒ From $3'$ to $3\frac{5}{32}$ ----- 6-30-11.
- Ⓓ Finish Marks added. ----- 6-30-11.
- Ⓔ From plain oil holes to Tap holes for oilers. ----- 8-30-11.
- Ⓟ FROM $1"$ TO $\frac{9}{16}"$ T.M.Co. 10-21-12
- Ⓠ " $1"$ TO $1\frac{1}{16}"$ T.M.Co. 10-21-12.
- Ⓡ " $1\frac{3}{4}$ TO $1\frac{13}{16}"$ T.M.Co. 10-21-12



TUDHOPE MOTOR CO. Orillia Canada. CONTROL BRACKET.
Drawing No. - B.L. 2
Material - Mall. Iron
No. required - 1
Drawn by U.C.R. Ch. K. d. by F.L.
Traced by J.L.A. Mpp. by
Date - 4-8-11