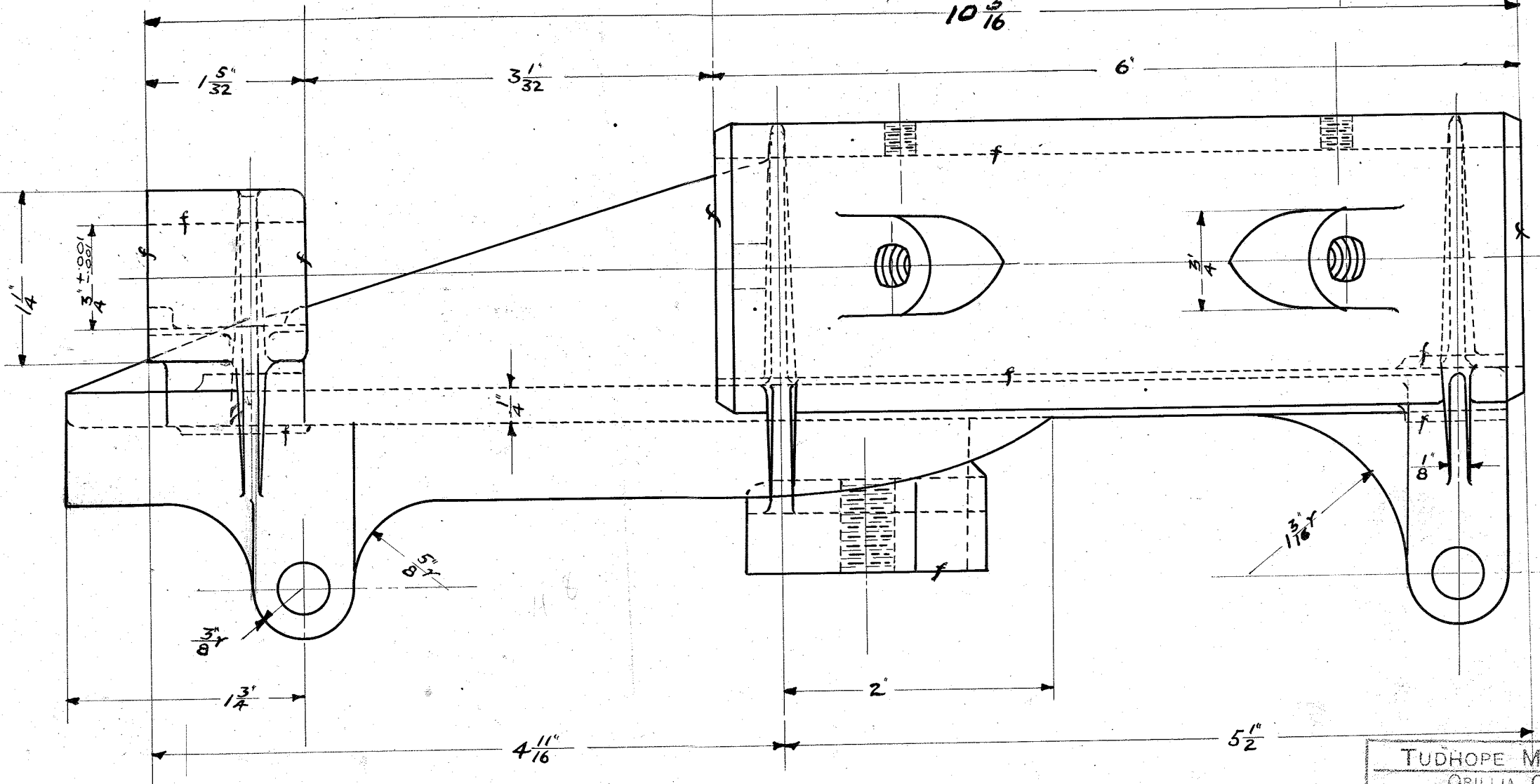
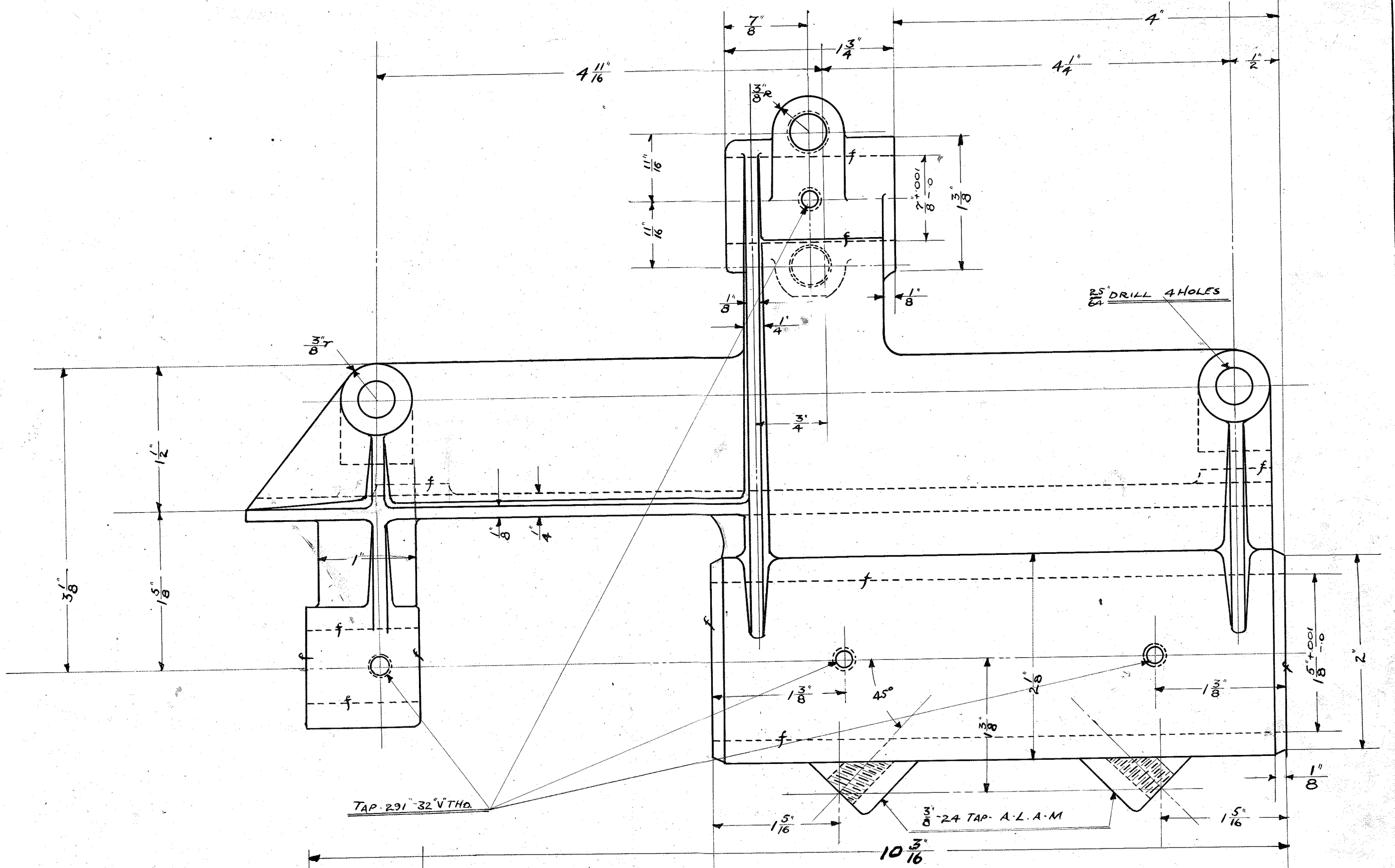
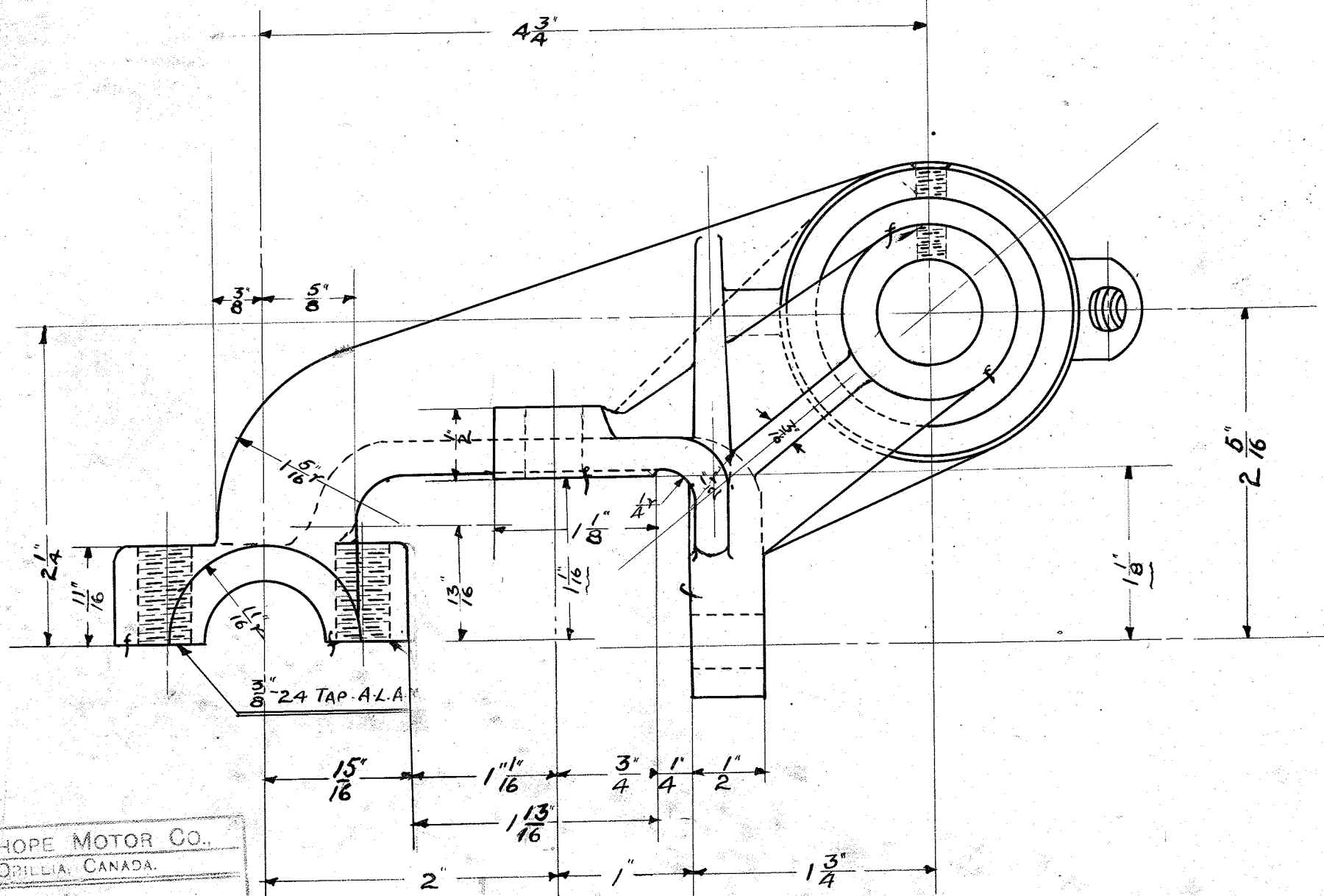


6 BL-2



TUDHOPE MOTOR CO.
ORILLIA, CANADA.

CONTROL BRACKET

DRAWING NO. 6-BL-2
MATERIAL MALL IRON
NO. REQUIRED 1
DRAWN BY JLA CHECKED BY
TRACED BY JLA APP'D BY
DATE 9-21-12

TUDHOPE MOTOR CO.
ORILLIA, CANADA.

CONTROL BRACKET

DRAWING NO. 6-BL-2
MATERIAL MALL IRON
NO. REQUIRED 1
DRAWN BY JLA CHECKED BY
TRACED BY JLA APP'D BY
DATE 9-21-12