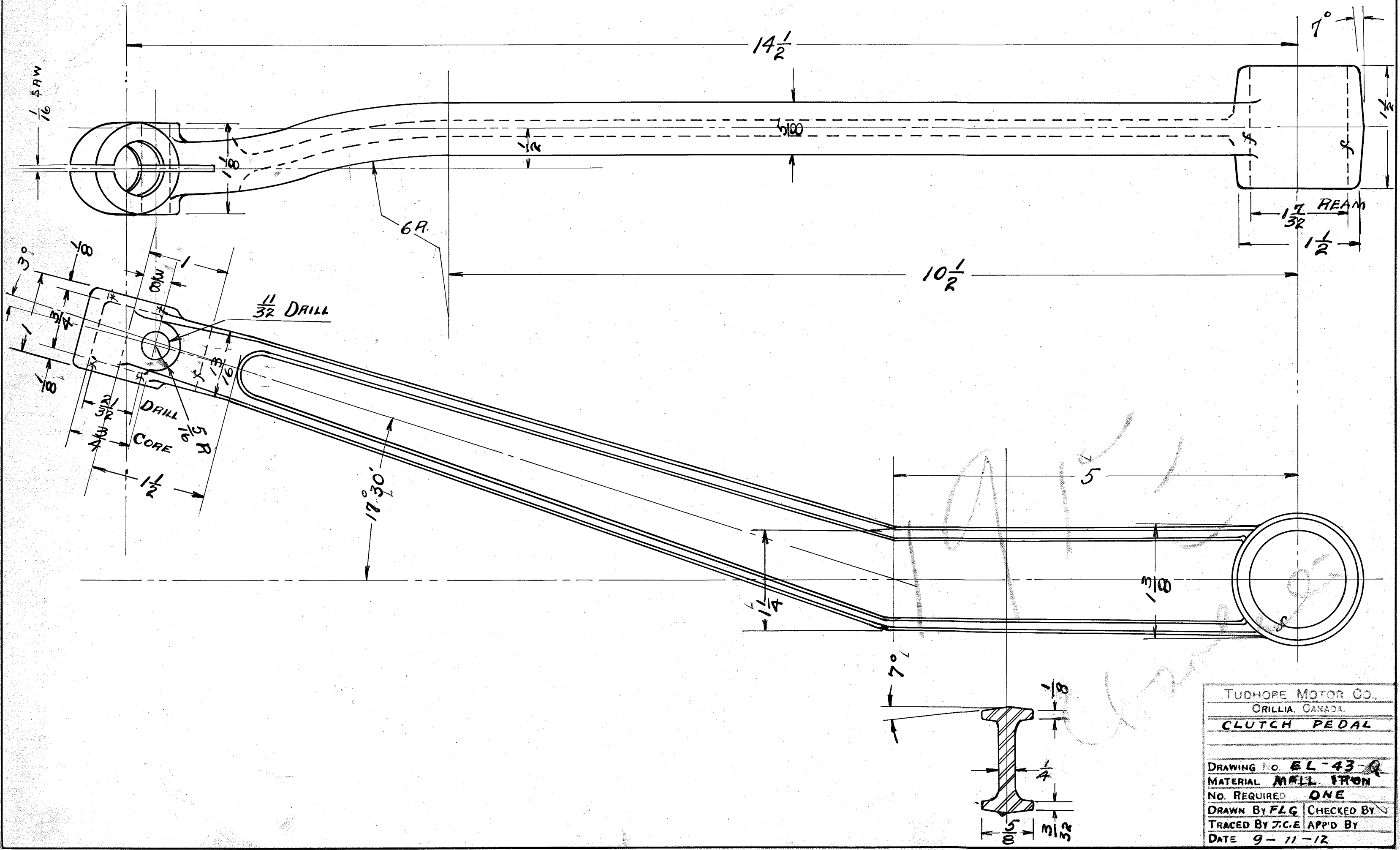


# EL-43-Q.



TUDHOPE MOTOR CO.  
ORILLIA, CANADA.  
**CLUTCH PEDAL**

---

DRAWING No. **EL-43-Q**  
MATERIAL **MILL. IRON**  
NO. REQUIRED **ONE**  
DRAWN BY **FLG** CHECKED BY **[Signature]**  
TRACED BY **J.C.E** APP'D BY **[Signature]**  
DATE **9-11-12**