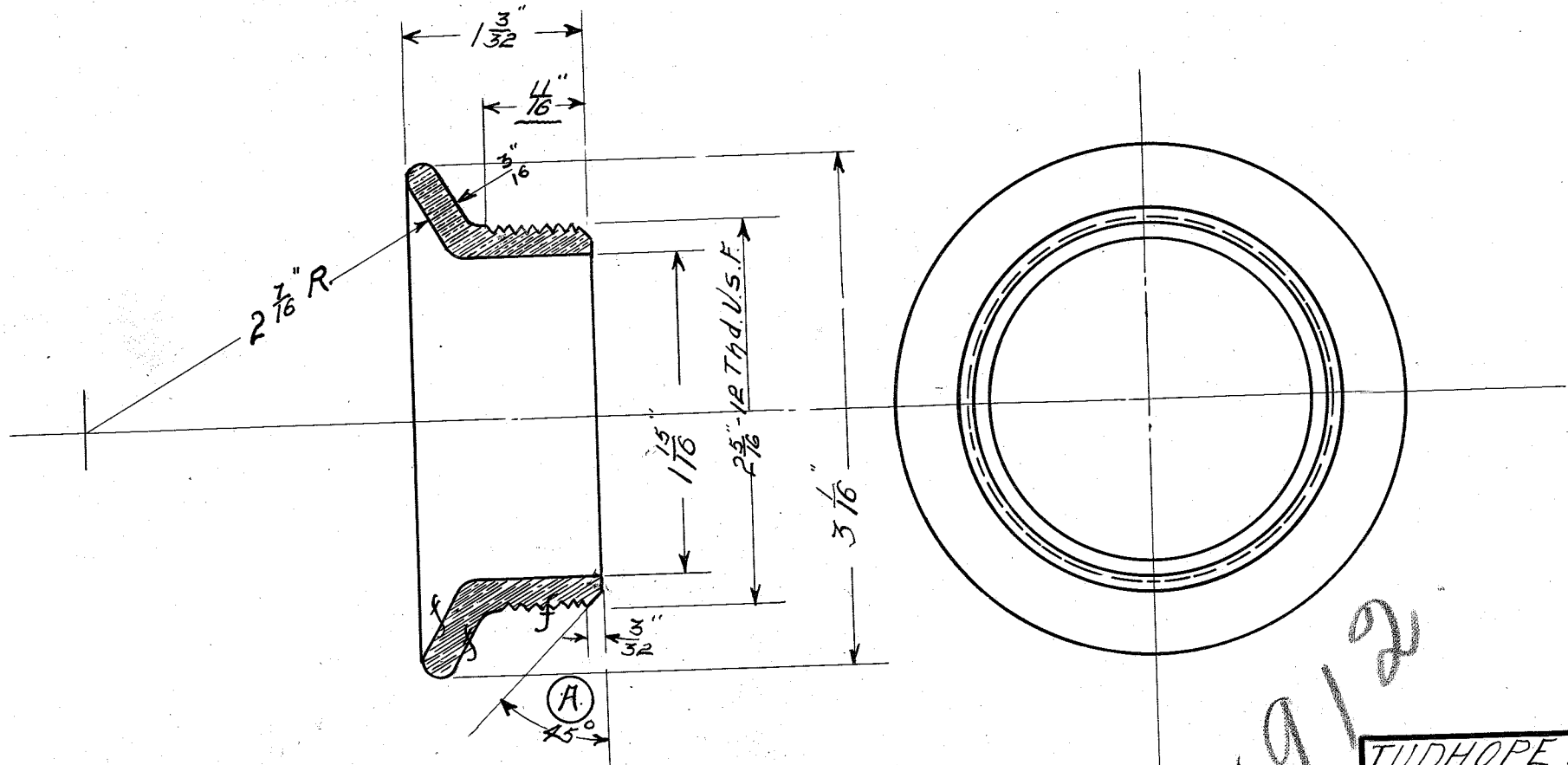


# BL-28

(A) Chamfer Added 7-10-11.



1912

TUDHOPE MOTOR Co.	
ORILLIA, CANADA	
CLUTCH CONTROL BUSHING	
DRAWING No. BL-28	
MATERIAL - PHOS BRONZE	
NO. REQUIRED - 1	
DRAWN BY - FUC	CHK'D BY - F.L.G.
TRACED BY - H.H.A.P.P. BY -	
DATE - 4-20-11	