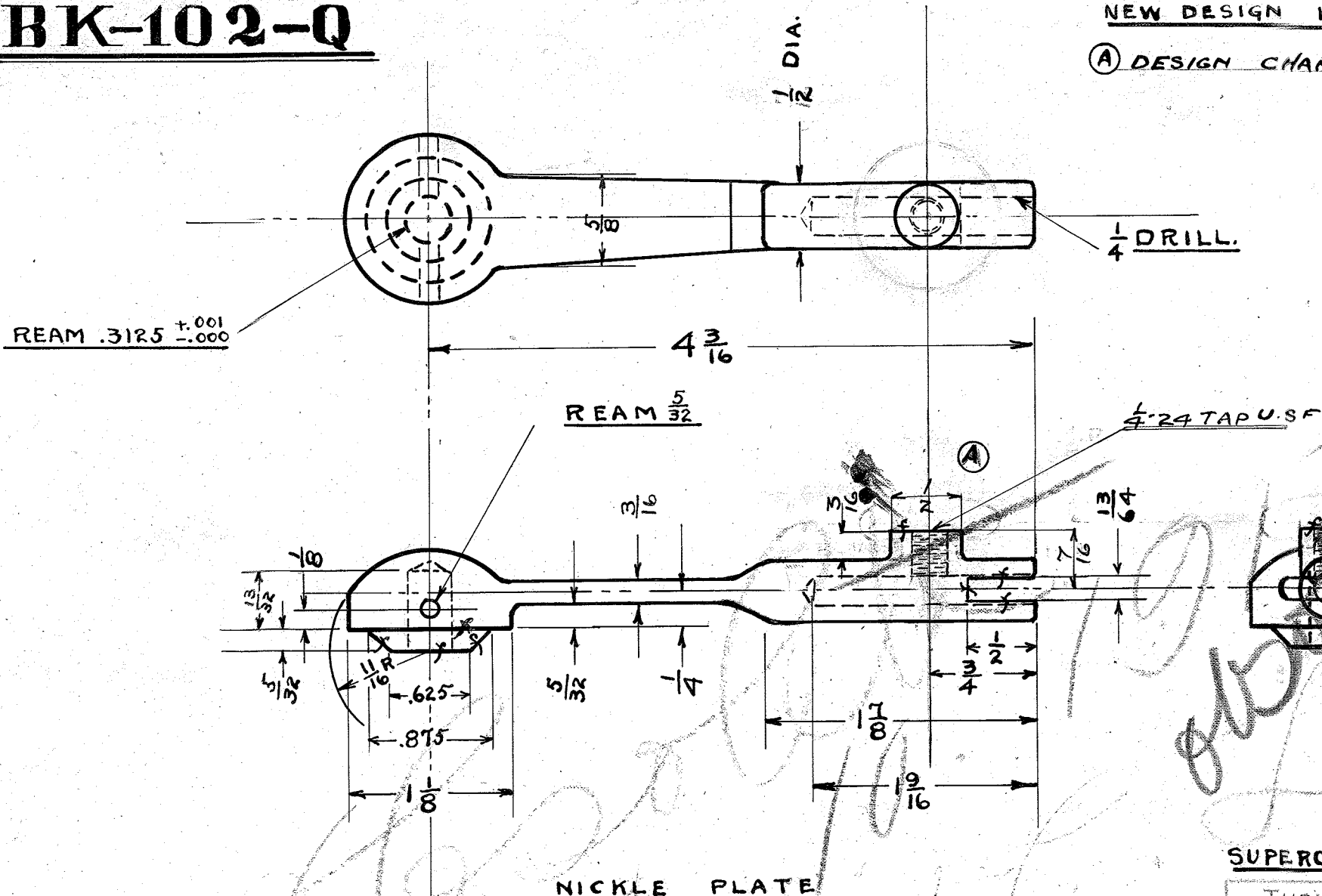


BK-102-Q

NEW DESIGN 10-2-12

(A) DESIGN CHANGED 1-16-13



NICKLE PLATE
AND POLISH

SUPERCEDING BK-23-Q

TUDHOPE MOTOR CO.	
ORILLIA, CANADA.	
SPARK CONTROL LEVER	
DRAWING NO. BK-102-Q	
MATERIAL BRASS CASTING	
NO. REQUIRED 1	
DRAWN BY <i>jes</i>	CHECKED BY <i>[Signature]</i>
TRACED BY <i>jes</i>	APP'D BY
DATE 10-2-12.	