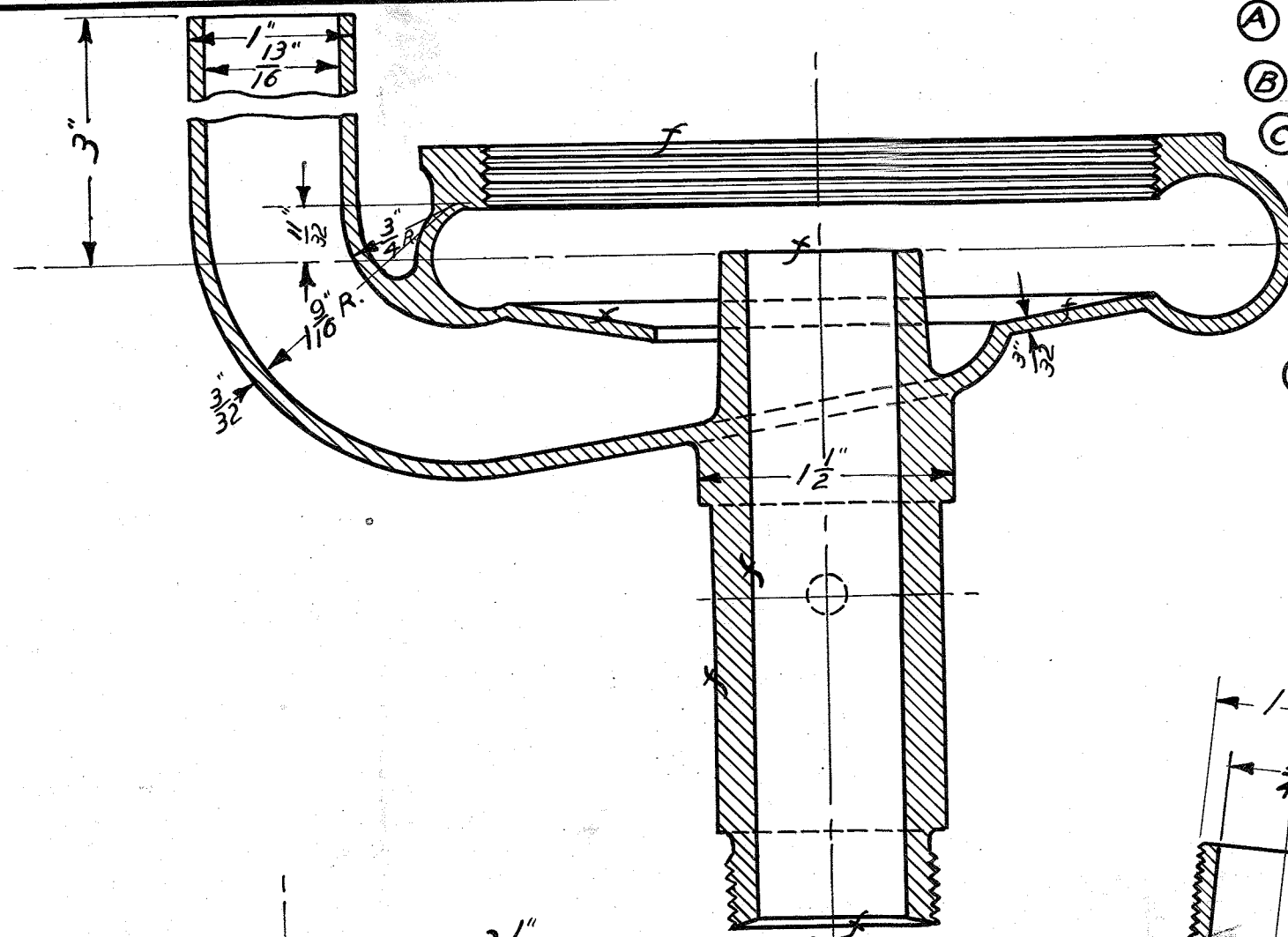
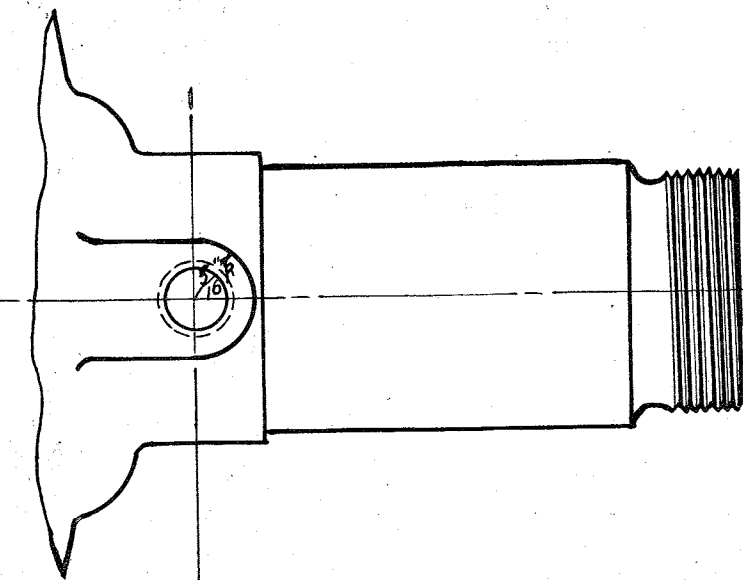
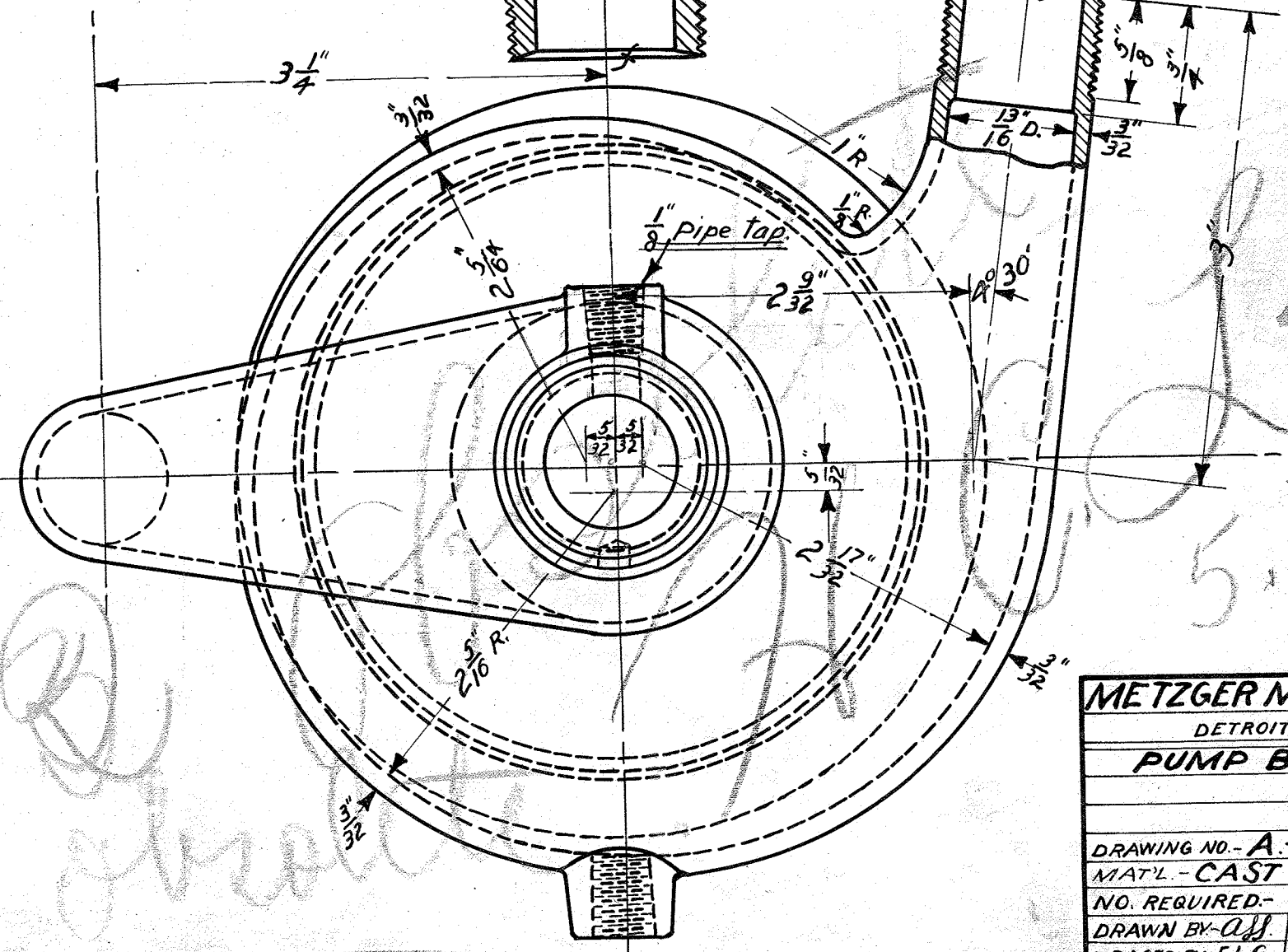
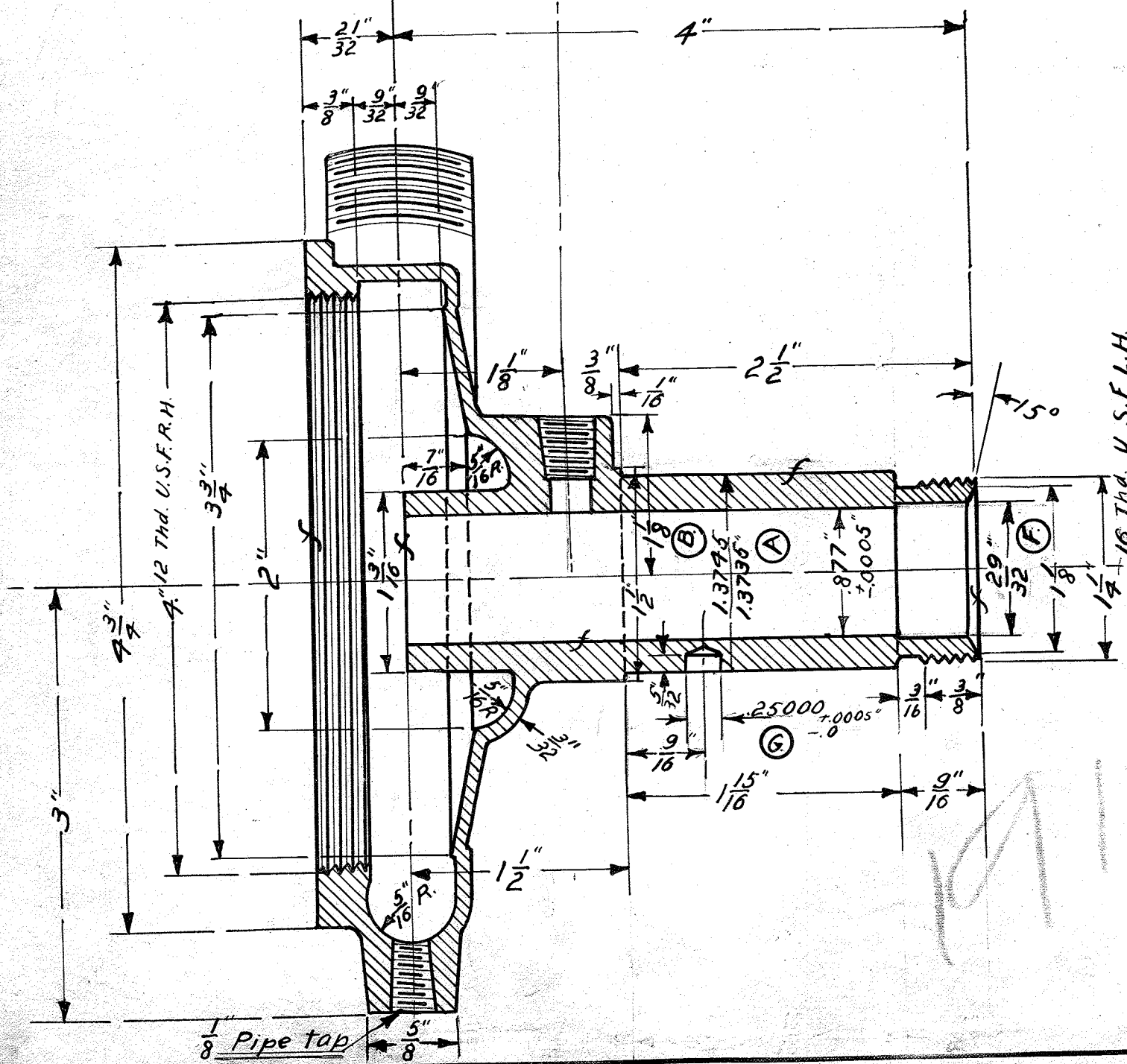


A-H-2-C.



- (A) From $1\frac{3}{8}$ " to 1.3745 " - 7-14-10.
- (B) From $\frac{7}{8}$ " to $1\frac{1}{8}$ " - 8-31-10.
- (C) Finish added - 9-2-10.
- (D)
- (E)
- (F) From $.877 \pm .0005$ to $\frac{29}{32}$ " - 10-26-10.
- (G) From $\frac{1}{4}$ " Drill to $.2500 \pm .0005$ " - 1-25-11.



| | |
|--------------------------|-------------------|
| METZGER MOTOR CAR | |
| DETROIT MICH. | |
| PUMP BODY. | |
| DRAWING NO. - A-H-2-C. | |
| MAT'L. - CAST IRON. | |
| NO. REQUIRED - 1. | |
| DRAWN BY - A.S. | CHECKED BY - O.R. |
| TRACED BY - F.L.G. | APP. BY - |
| DATE - 6-18-1910. | |