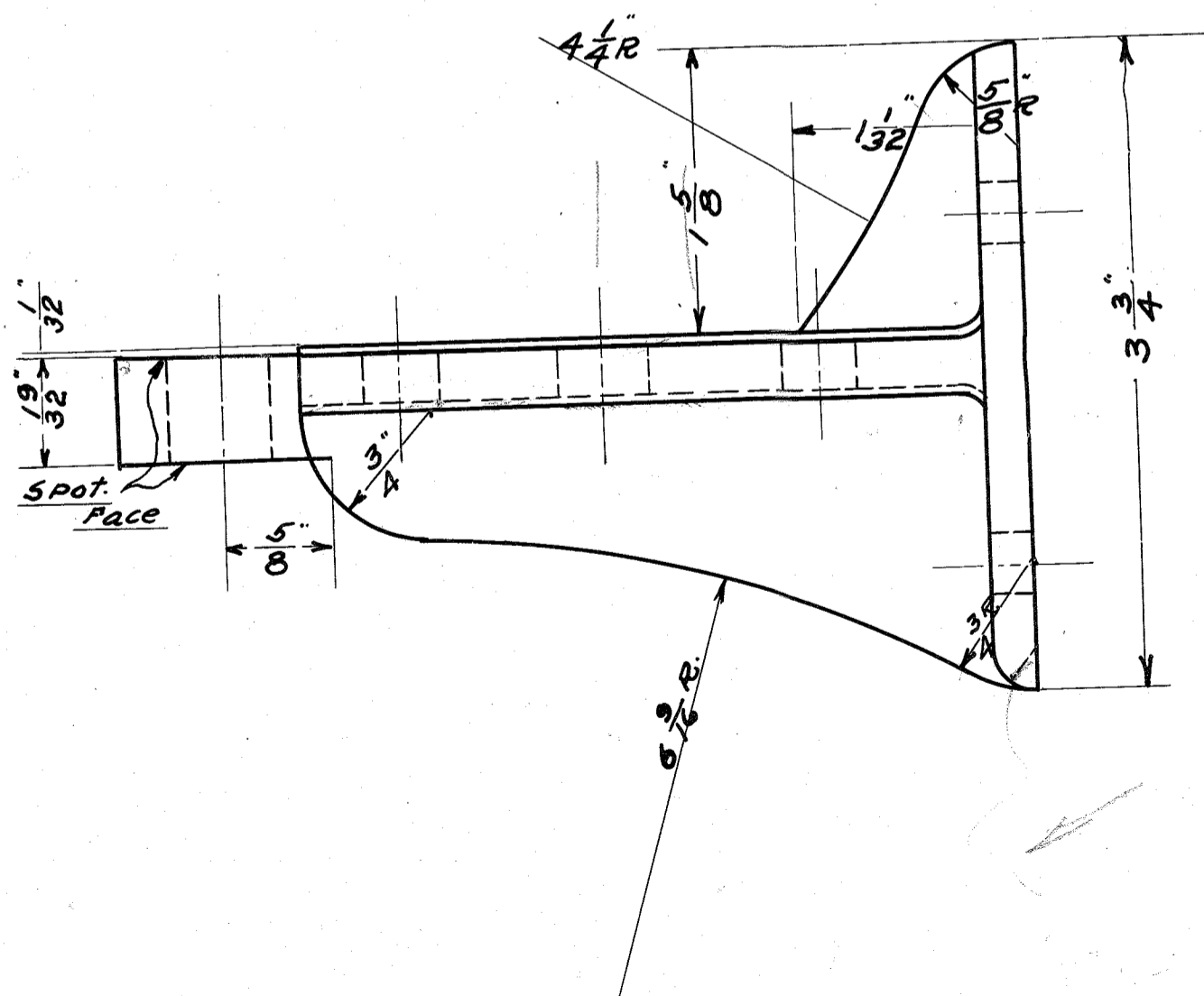
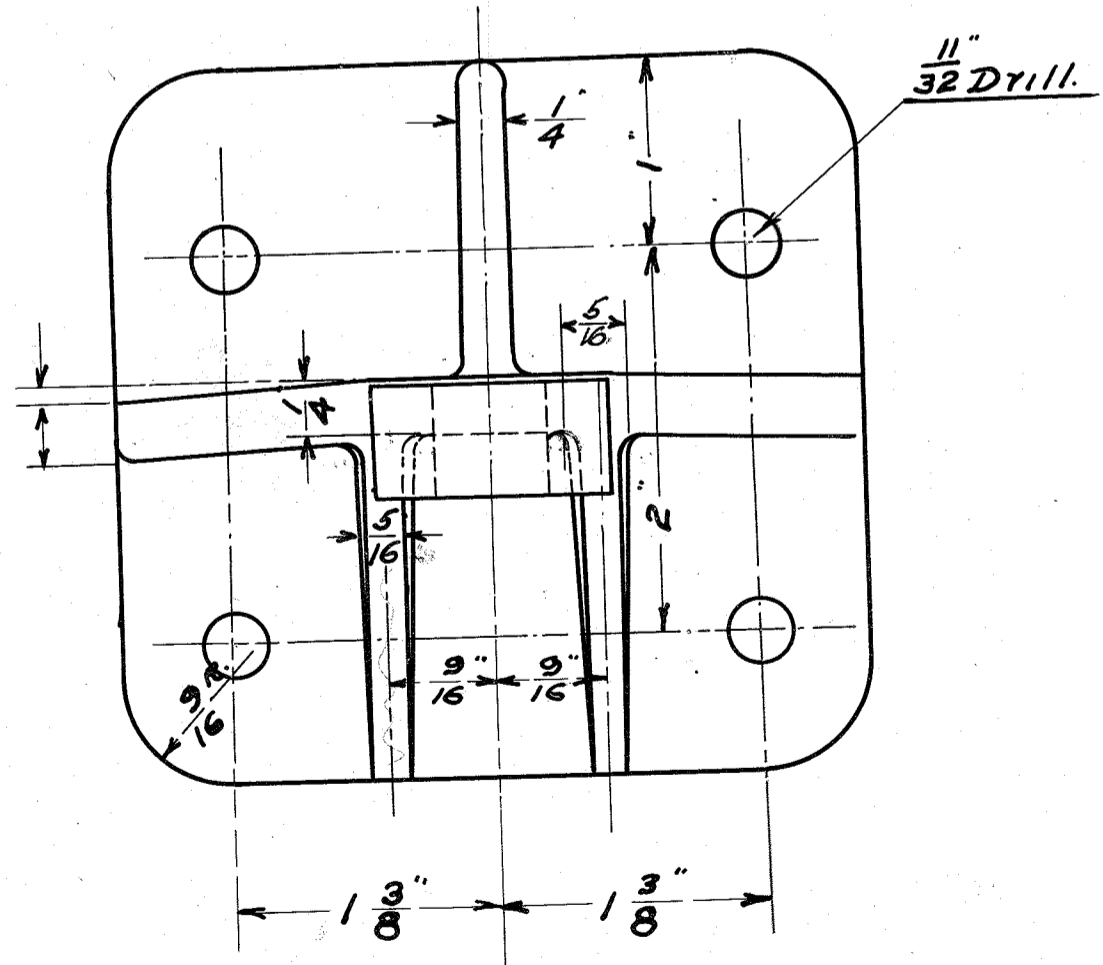
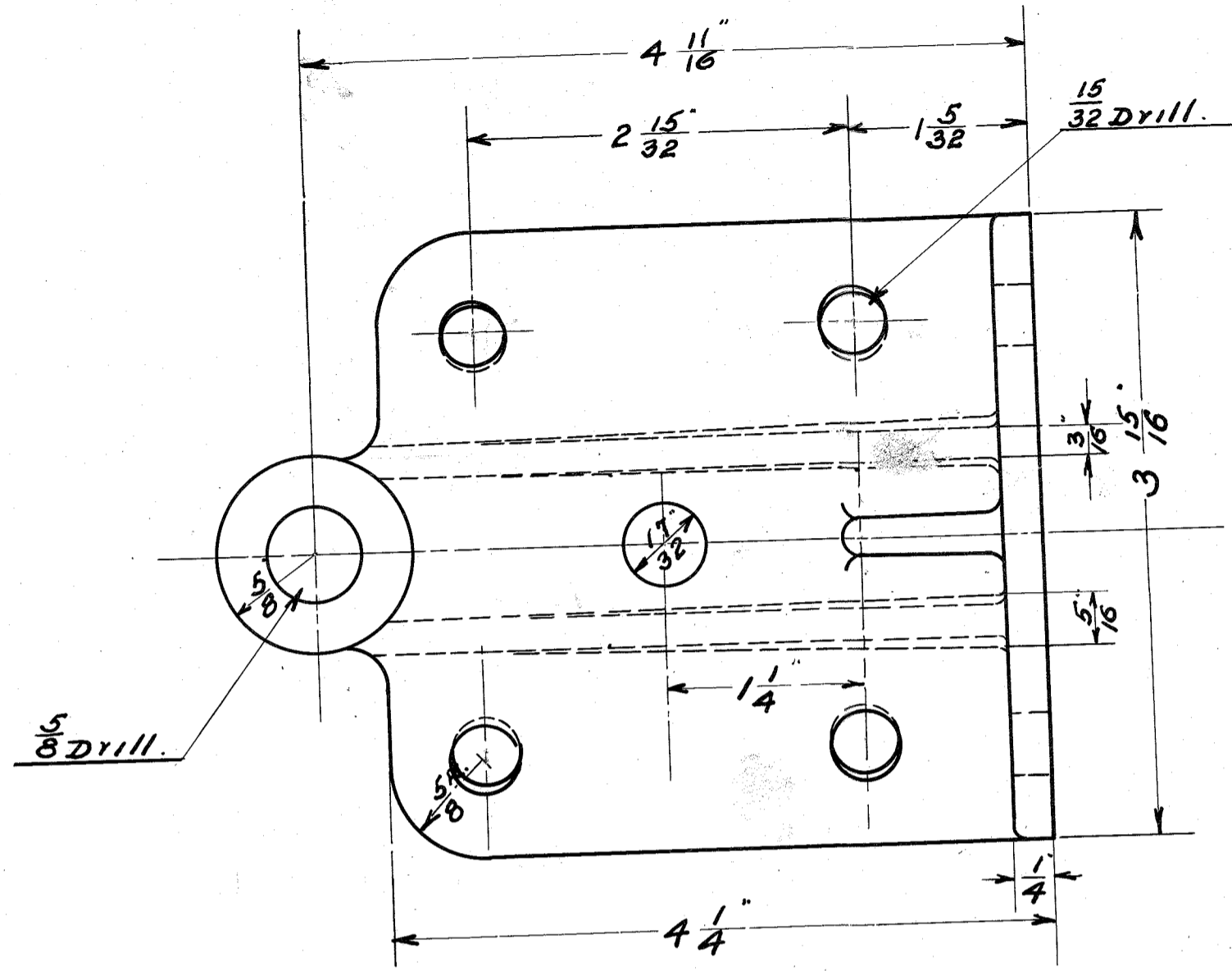


BI-21.



FISHER MOTOR Co.
 Walkerville, Ont.
 REAR SPRING
 HANGER.

Drawing No. - BI-21.
 Material - Mall. Steel.
 No. Required - 2.
 Drawn by O.B.H. / CHK'd. by
 Traced by H.H. / APP. by
 Date - 15/11/13.