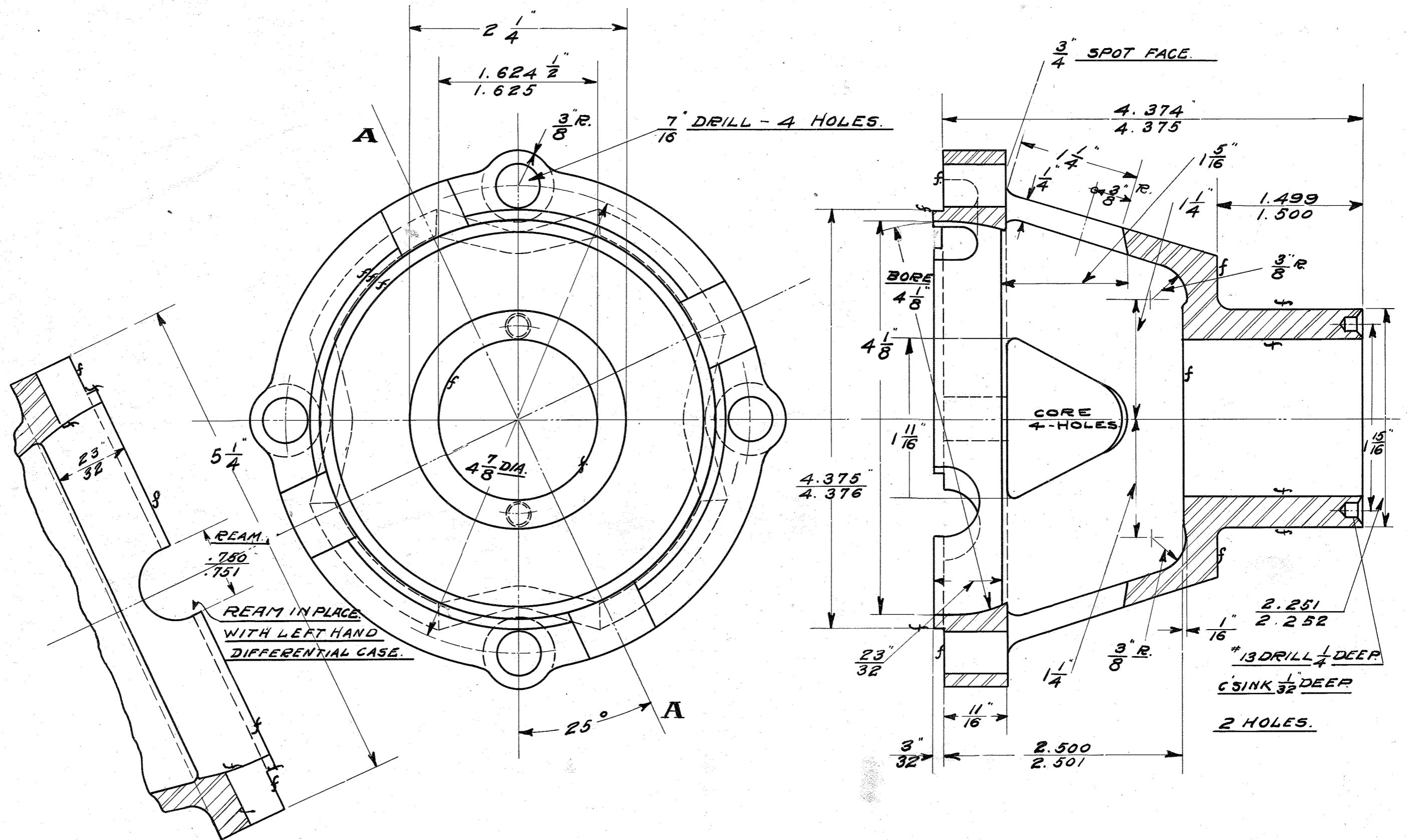


EE-6



SECTION A-A

FISHER MOTOR CO.,
 WALKERVILLE, O. T.
 DIFFERENTIAL CASE
 (RIGHT HAND)

EE-6
 - MALL. IRON.
 - 1.
 - AGG.
 - H.H.
 - 4-14-14.